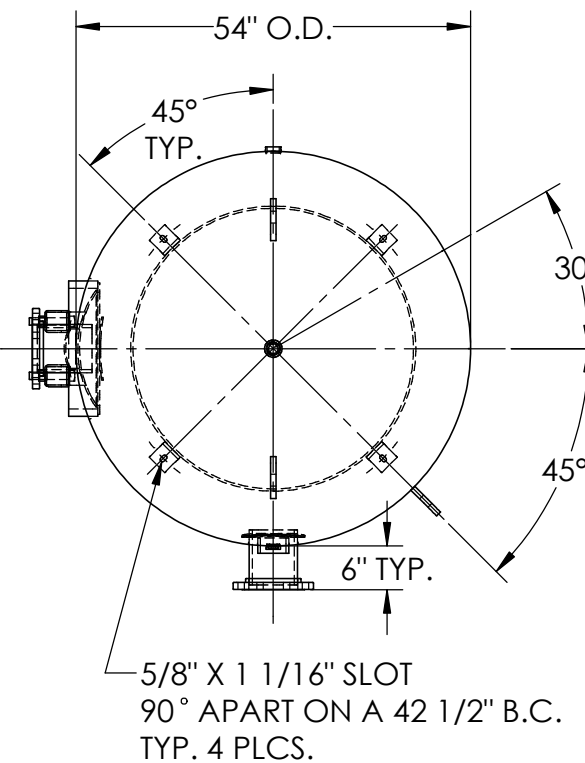
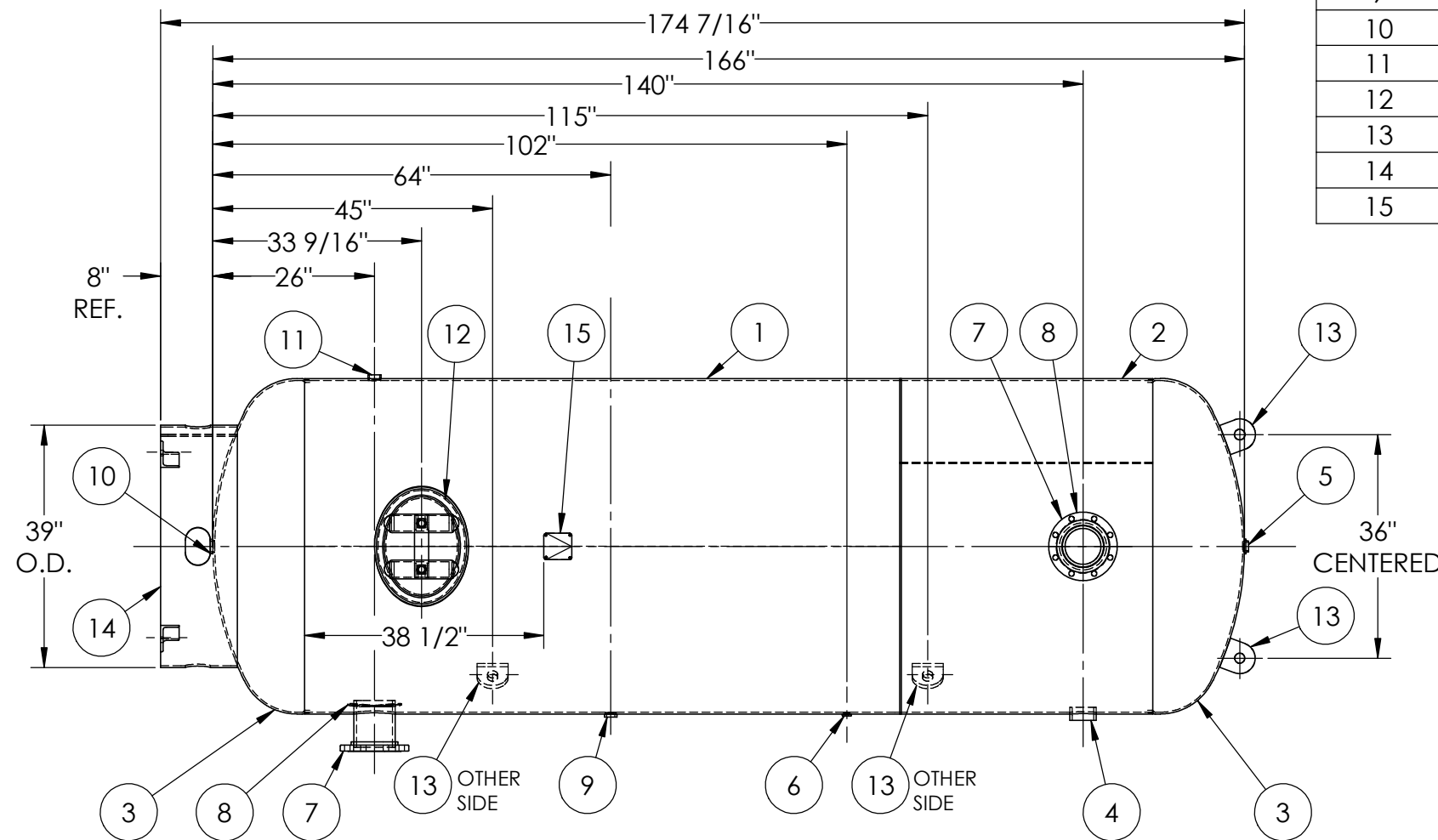


ITEM NO.	PART NO.	DESCRIPTION	QTY.
1	A302447-SL1	SHELL LAYOUT FOR 54" TANK	1
2	A302447-SL2	SHELL LAYOUT FOR 54" TANK	1
3	H44790	.284 MIN. 54" O.D. 2:1 ELLIP. JOG. HEAD	2
4	F10400	3"-NPT HALF COUPLING	1
5	F10370	1"-NPT FLAT FLANGE	1
6	F31826	1/4"-NPT FLAT FLANGE	1
7	A99220	6NPS RFSO ASY.	2
8	A84390.54	6" PIPE BACKING RING	2
9	F30263	1"-NPT RADIAL FLANGE	1
10	F10360	1 1/4"-NPT FLAT FLANGE	1
11	F12520	1 1/4"-NPT RADIAL FLANGE	1
12	A95073	12" X 16" X 1" X 4" 300# MANWAY	1
13	A84524	3/4" LIFT LUG STD VER	4
14	A85008	BASERING ASSEMBLY	1
15	A20910	ASME DATA PLATE	1



NOTES:

SPECIFICATIONS

O.D. 54 LGTH. 166 MAWP 200 PSI @ 400°F
 WT. 3229 LBS.
 S.A. 208 SQ.FT.
 GAL. 1550 CU.FT.204.74 CRN: V9749.2C
 CODE: ASME Section VIII, Div.1, LATEST EDITION
 STD. TOLERANCES: M-2461 (UNLESS OTHERWISE NOTED)

W
 EXMT UG20(f) CORR ALW 0 SH 0 HD
 WELD DETAILS: M-1932



VERTICAL AIR RECEIVER

REVISIONS

REV.	BY	DESCRIPTION	DATE	APP.
A	KAT			JC
B	EK			JC
C	HD			HD
D	RK			MK
E	MK			MK

DRAWN BY:	BS	DATE:
APPR. BY:	JR	DATE:
SCALE:	NONE	DRWG NO. 302447

RELEASED FOR PRODUCTION
 Q.C. _____ DATE _____

