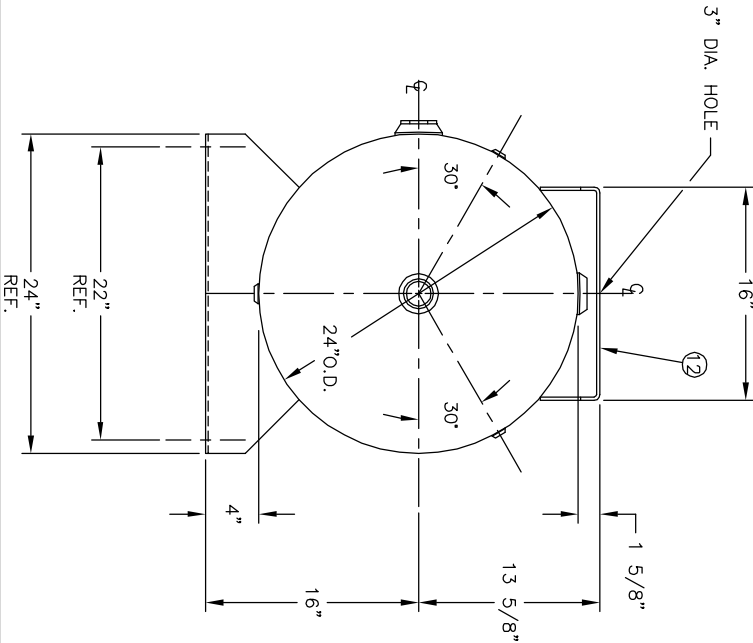
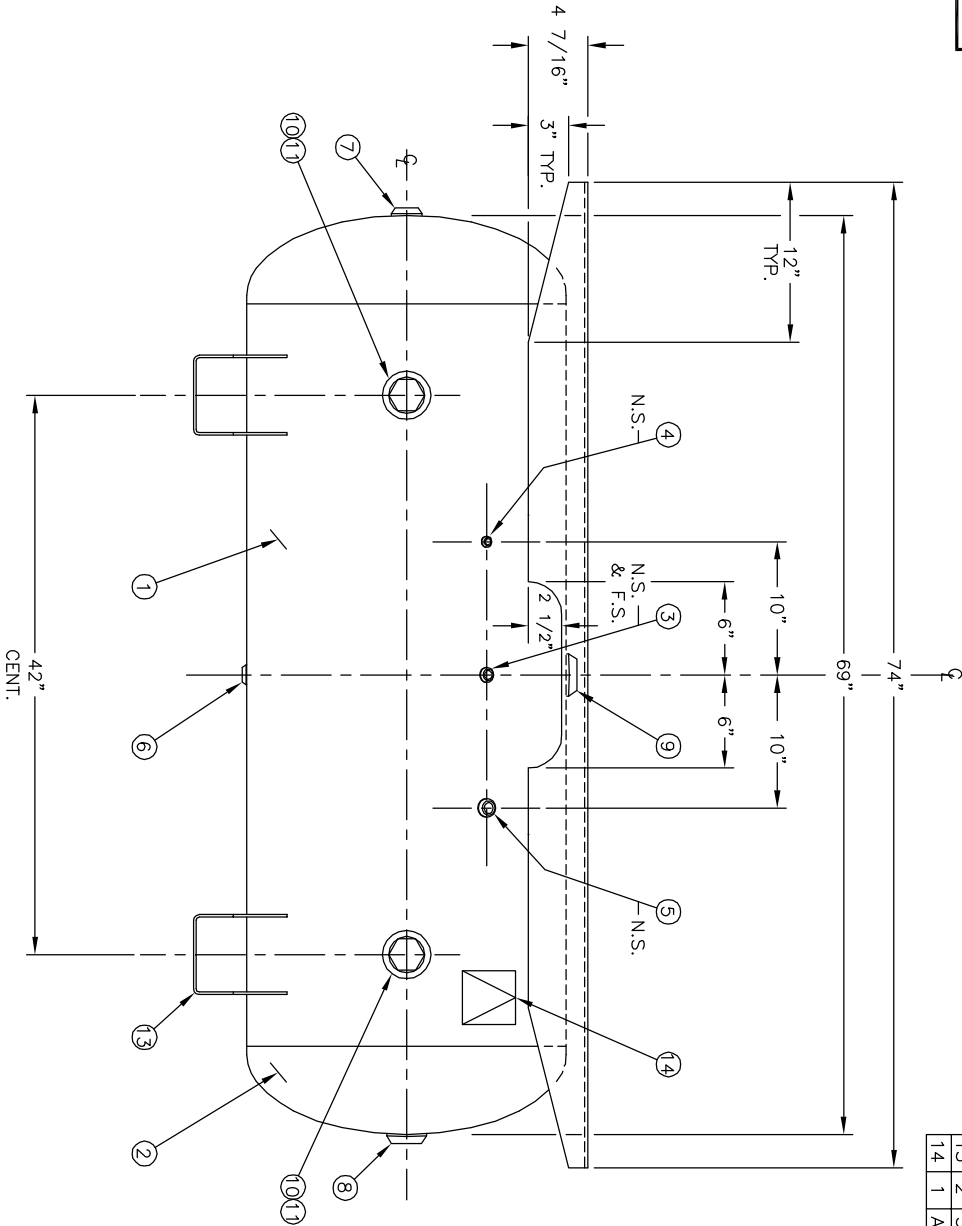


CODE/ADDENDA 2010/2011A APPROVED
 RELEASED FOR PRODUCTION
 Q.C. _____ DATE _____



NO. QTY	DESCRIPTION	SPEC	SUB-DWG.
1 1		SA-414-G	
2 2		SA-414-G	
3 2	1/4" NPT 1500# FLAT FLANGE	SA-181-70	
4 1	3/8" NPT 1500# FLAT FLANGE	SA-181-70	
5 1	1/2" NPT 1500# FLAT FLANGE	SA-181-70	
6 1	3/4" NPT 1500# RADIAL FLANGE	SA-181-70	
7 1	1" NPT 1500# FLAT FLANGE	SA-181-70	
8 1	1 1/2" NPT 1500# FLAT FLANGE	SA-181-70	
9 1	1 1/2" NPT 1500# RADIAL FLANGE	SA-181-70	
10 2	2" NPT 1500# RADIAL FLANGE	SA-181-70	
11 2	2" NPS PLUG		
12 1	1 1/4" X 23 15/16" X 74" PLATFORM	C1008	
13 2	3/16" X 19 3/4" X 24" SADDLES		A84529
14 1	ASME DATA PLATE	C1010	

REVISION

APP

NOTES

SPECIFICATIONS

MANCHESTER TANK BED1\3000

SM/ DATE	BY	REV	DATE
3	JLF	BS	
4	JLF	BS	

0.0, 24 LGH. 69 SH.	MANIP 200 PSI @ 650 F. HD.	RT- MDMT T@ PSI	QAL 120 SA. 38.6
EXMT TEST	WT. 475 CWT. 16.6	CORR ALW SH	CUFT. 16.6
CEN F0627.1C	HD	CODE ASME SEC.VIII DIV. 1	LATEST EDITION & ADDENDA
WELD DETAILS: M-1932	STD. TOLERANCES (UNLESS OTHERWISE NOTED): M-2461	DATE	SCALE: NONE
DRAWN BY	DATE	DATE	DRAWING NO. 302700
120 GALLON STD. HORIZ. W/EXTENDED PLATFORM			