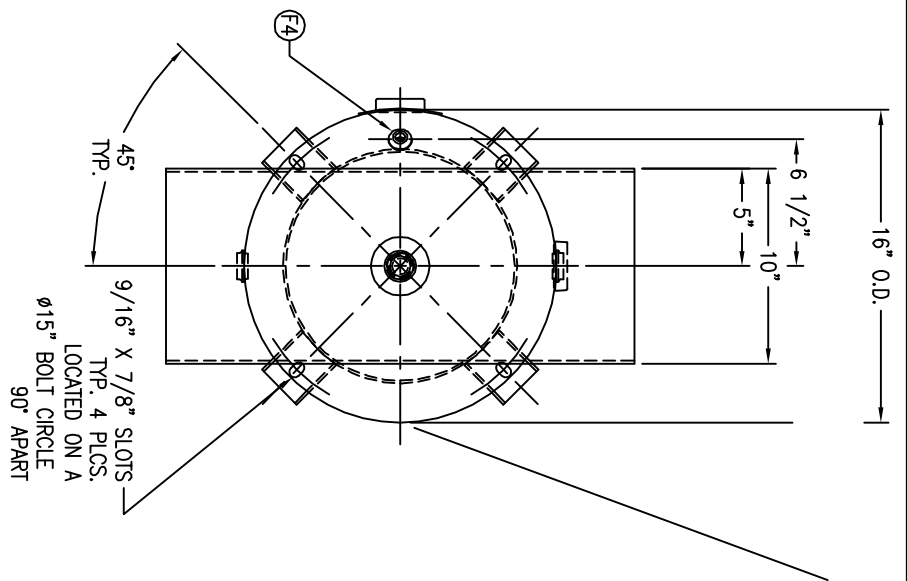
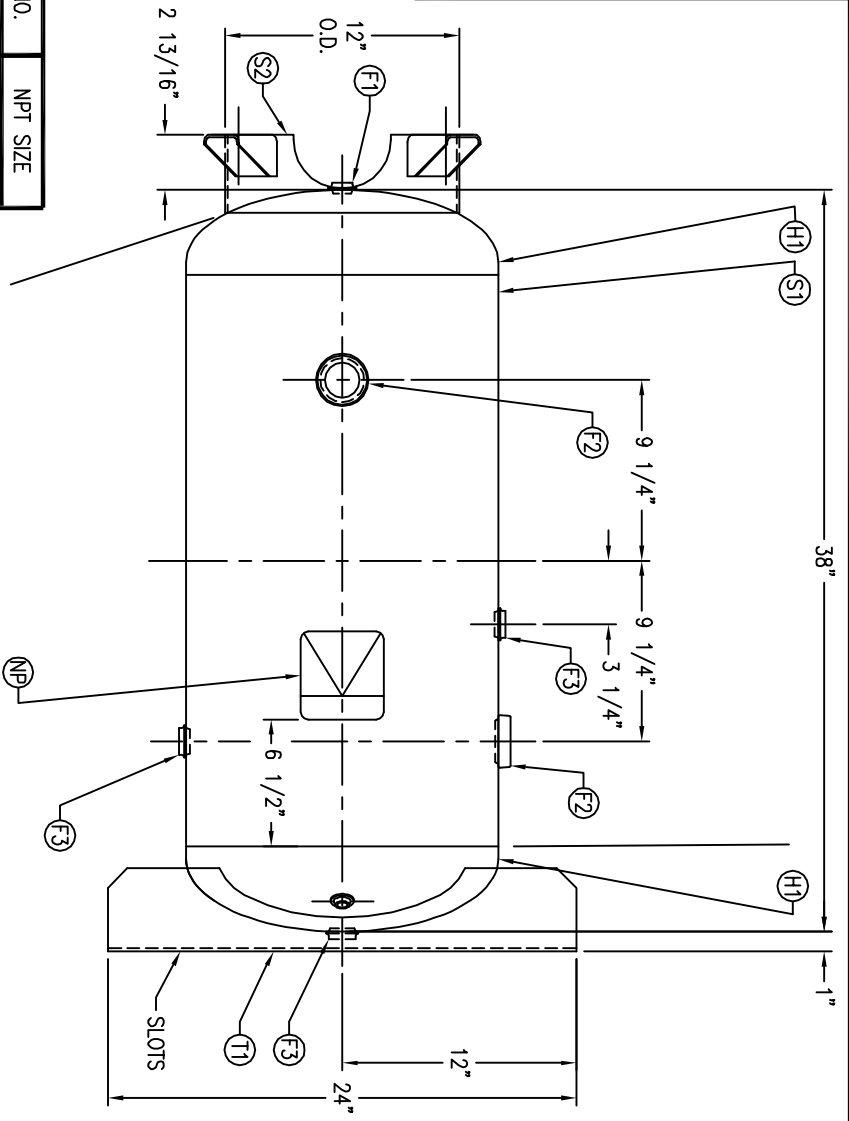


CODE/ADDENDA 2010/2011A APPROVED DP  
 RELEASED FOR PRODUCTION  
 Q.C. \_\_\_\_\_ DATE \_\_\_\_\_



FIND NO.	NPT SIZE
F1	1/2
F2	1-1/2
F3	3/4
F4	1/4

SYM	DATE	BY	REVISION
A		EGB	
B		EGB	

APP	XREF	REV
EGB	C814	B
	1A	C903

NOTES

SPECIFICATIONS  
 O.D. 16 LGTH. 38 SH.  
 MAMP 200 PSI @ 650 F HD.  
 RT- MDMT T@ PSI  
 EXMT TEST W  
 XRAY  
 CRN F2151.1C

MAT'L MAT'L  
 WT. 107# SA.14.1  
 CORR ALW SH HD  
 CODE: ASME SEC. VIII DIV. 1,  
 LATEST EDITION & ADDENDA

**MANCHESTER**  
 MTEFPA1N\_APP-S\DWG\302

## VERTICAL AIR RECEIVER

DRAWN BY EGB	DATE	SCALE: NONE
APP. BY EGB	DATE	DRAWING NO. 302408