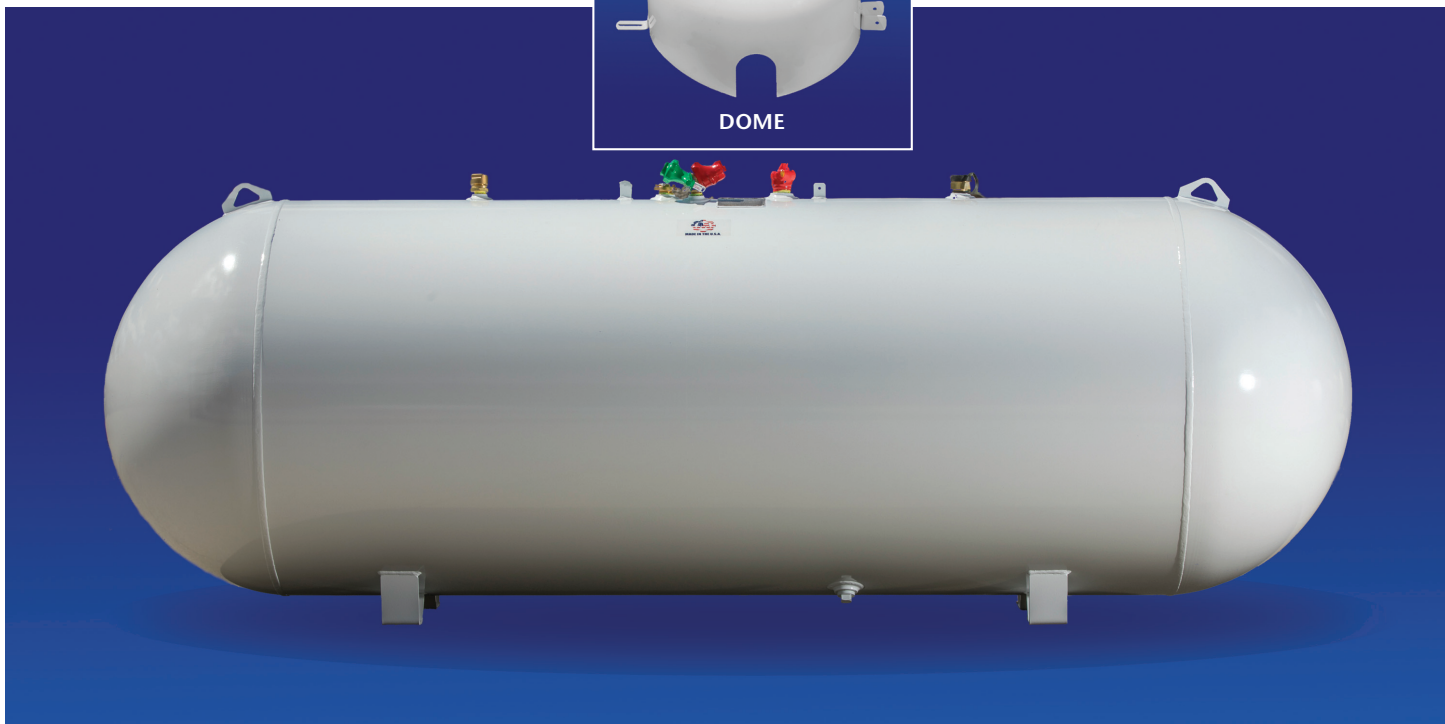




## ABOVEGROUND PROPANE STORAGE TANKS 120 - 1000 Gallons



### PRESSURE VESSEL CODES & REGISTRATION

- Designed and constructed in accordance with the ASME Section VIII Division I Code
- Registered with the National Board of Boiler & Pressure Vessels Inspectors
- Complies with NFPA 58
- Conforms to specifications set forth by the Railroad Commission of Texas

### PAINT SPECIFICATIONS

- Super durable TGIC polyester powder paint for maximum rust protection
- Standard tanks painted Sky White, custom colors available upon request

### VESSEL FEATURES

- Tanks fully fitted with RegO valves and Rochester liquid level gauges
- Container pressure rated at 250 PSI @ 400°F
- Vacuum pre-purged
- Stainless steel data plate
- Steel domes (custom colors available upon request)
- #54 liquid level outage valve orifice
- Made in the U.S.A

### PROCESS CONTROL

All welded products are x-rayed and pressure tested @ 325 PSI per ASME Sec VII, Div I requirements, followed by rigorous leak test inspections, both pre and post valving

### GENERAL MAINTENANCE REQUIREMENTS

Contact Propane Education & Research Council for additional resources and information at [usepropane.com](http://usepropane.com)



**MADE IN THE U.S.A.**

MANCHESTER TANK & EQUIPMENT CO.  
[mantank.com](http://mantank.com)



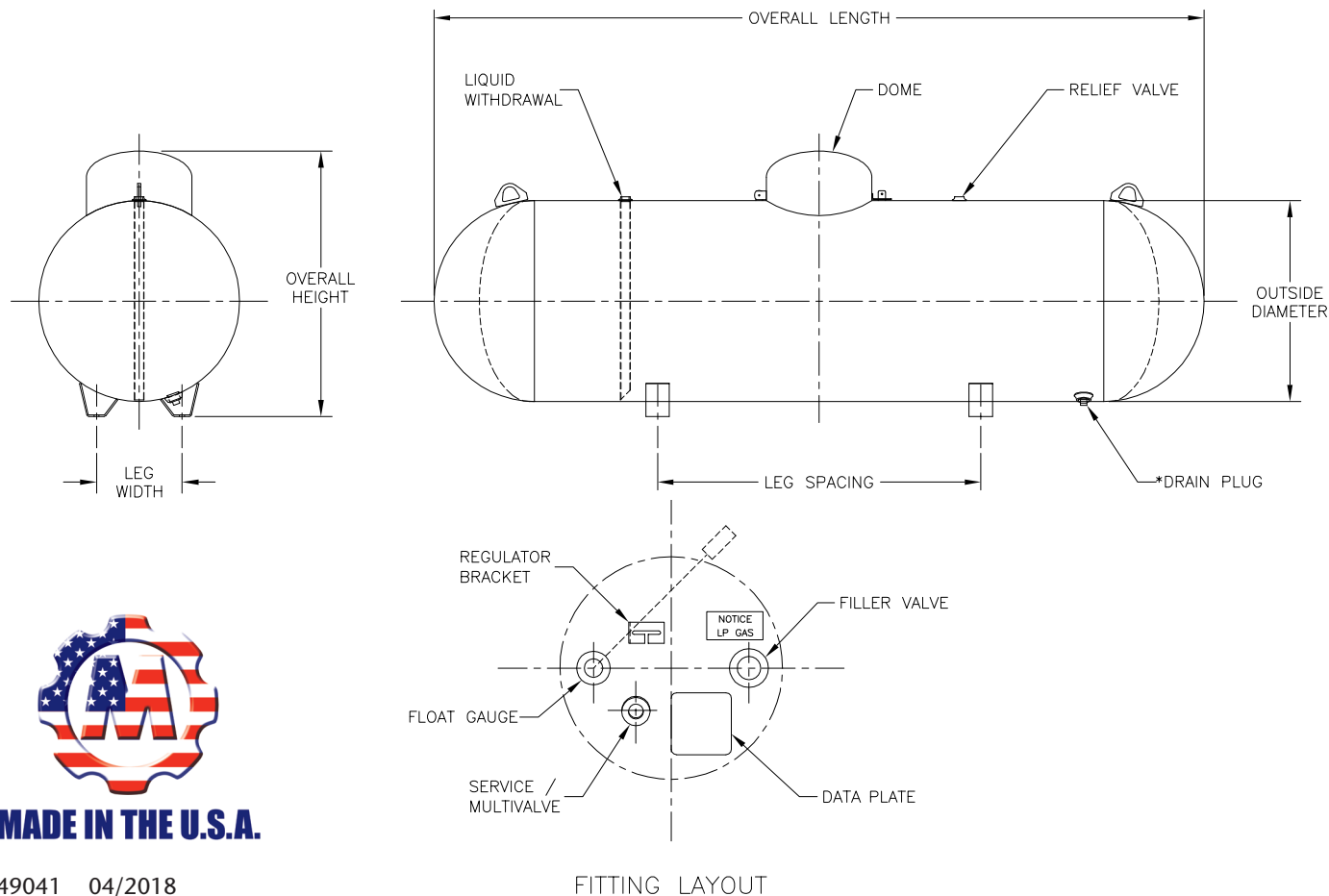
## ABOVEGROUND PROPANE STORAGE TANKS 120 - 1000 Gallons

### ABOVEGROUND VESSEL DIMENSIONS & SPECIFICATIONS (All Vessel Dimensions are Approximate)

Part Number	Description	Water Capacity Gal/l	Outside Diameter In/mm	Head Type	Overall Length In/mm	Overall Height In/mm	Leg Width In/mm	Leg Spacing In/mm	Weight Lbs/kg	Quantity	
										Full Load	Per Stack
68268	120 Gallon Aboveground Storage Tank*	120 454.2	24" 609.6	Ellip	5' 8" 1727.2	2' 9 3/8" 847.85	10 1/8" 257.3	3' 0" 914.4	310 140.6	96	12
68270	250 Gallon Aboveground Storage Tank*	250 946.3	30" 762	Hemi	7' 10" 2387.6	3' 3 3/8" 1000.1	12 3/4" 323.9	3' 6" 1066.8	471 213.6	54	9
68272	320 Gallon Aboveground Storage Tank	320 1211.3	30" 762.0	Hemi	9' 7" 2921	3' 3 11/16" 1008.1	12 3/4" 323.9	4' 0 1/4" 1225.6	566 256.7	45	9
68274	500 Gallon Aboveground Storage Tank	500 1892.7	37.5" 952.5	Hemi	9' 10" 2997.2	3' 11 1/16" 1195.4	15" 381	5' 0" 1524	920 417.3	30	6
68276	1000 Gallon Aboveground Storage Tank	1000 3785.4	41" 1041.4	Hemi	15' 11" 4851.4	4' 2 1/2" 1282.7	16 1/4" 412.8	9' 0" 2743.2	1811 821.5	15	5

\* Drain Plug Not Available

Federal, state or local regulations may contain specific applicable requirements for protective coatings and cathodic protection. The purchaser and installer are responsible for compliance with such federal, state, local and NFPA industry regulations, including, but not limited to, proper purging prior to putting into service. Coating (s) must be continuous, uninterrupted and must comply with local, state or national codes or regulations.



**MADE IN THE U.S.A.**