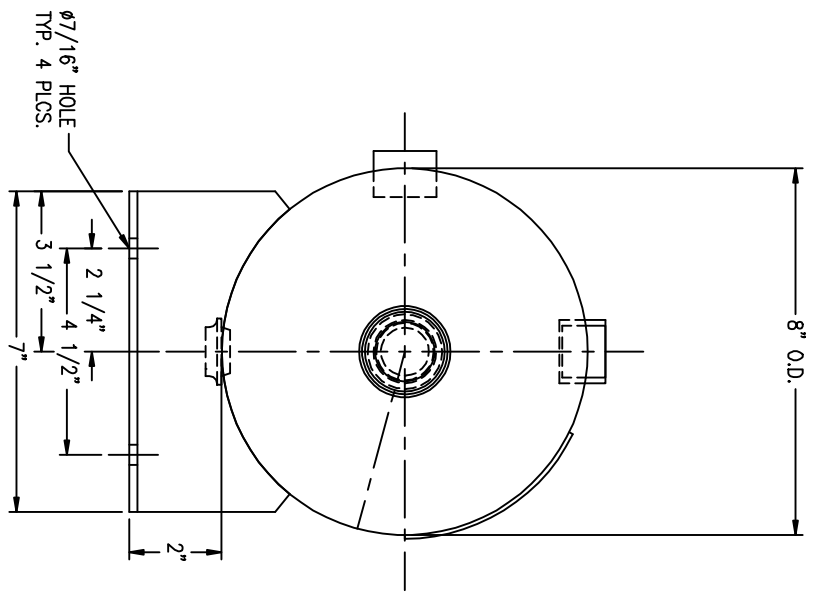
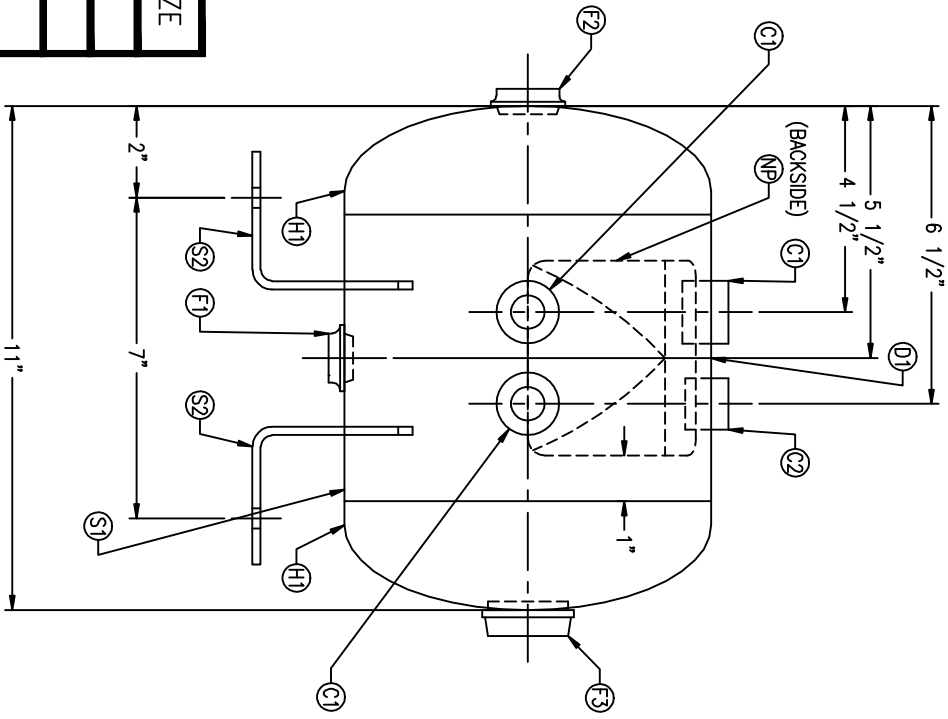


CODE/ADDENDA 2004/2006 APPROVED KM
 RELEASED FOR PRODUCTION
 Q.C. _____ DATE _____

FIND NO.	NPT SIZE
F1	1/2
F2	3/4
F3	1



SYM	DATE	BY	REVISION

APP	XREF	REV

NOTES

1. ALL PLUGS TO BE LOOSEMED TO HAND TIGHT PRIOR TO SHIPMENT.

SPECIFICATIONS

O.D. 8 LGTH. 11
 MAWP 200 PSI @ 650 F
 CRN H9635.5123467890

GAL. 2.0 S.A. 2.1
 WT. 15# CULFT. .26
 CODE: ASME SEC. VIII DIV. I,
 LATEST EDITION & ADDENDA



\\CORP2\DWG\304

HORIZONTAL AIR RECEIVER

DRAWN BY	DATE	SCALE: NONE
APP. BY	DATE	DRAWING NO. 304980