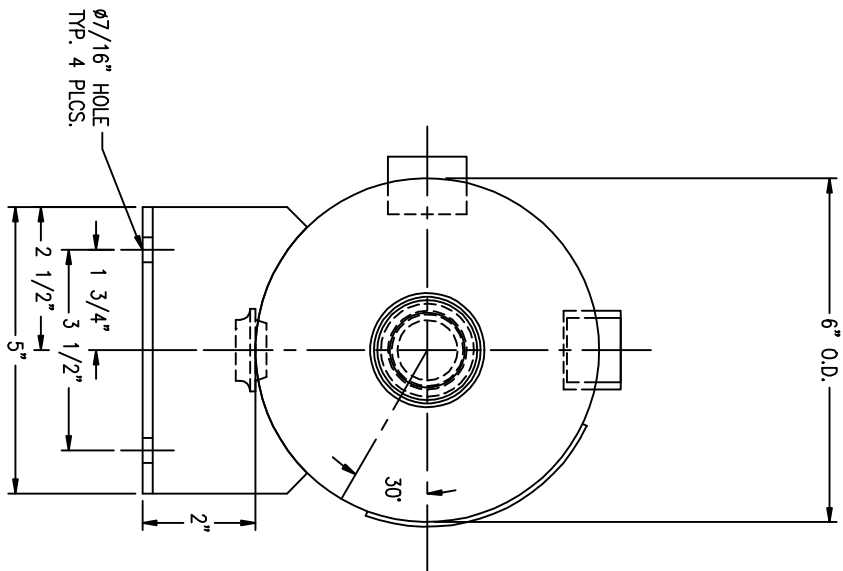
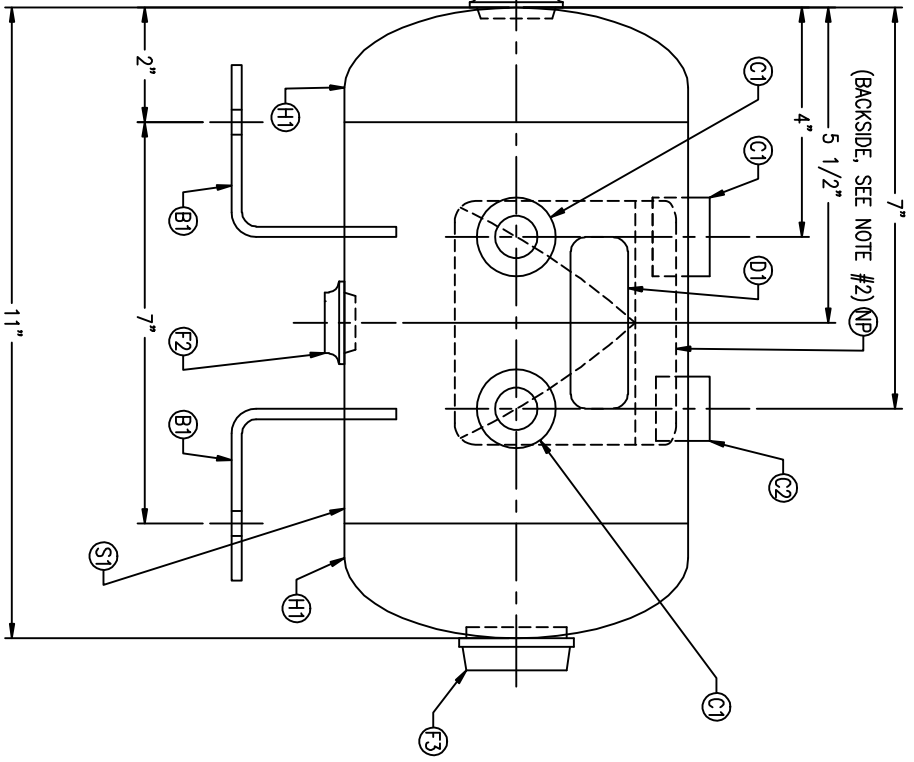


CODE/ADDENDA 2004/2006 APPROVED KM  
 RELEASED FOR PRODUCTION  
 Q.C. \_\_\_\_\_ DATE \_\_\_\_\_

FIND NO.	NPT SIZE
F1	3/4
F2	1/2
F3	1



SYMBOL	DATE	BY	REVISION

APP	XREF	REV
	C1096	

NOTES

1. ALL PLUGS TO BE LOOSEMED TO HAND TIGHT PLUS ONE HALF TURN PRIOR TO SHIPMENT.
2. LOCATE NAMEPLATE 1/2" UP FROM LONG WELD SEAM, CENTER BETWEEN HEADS.

SPECIFICATIONS	
O.D. 6	LGTH. 11
MAWP 200	PSI @ 650 F
CRN F2188.1234567890	
WELD DETAILS: M-1932	
STD. TOLERANCES (UNLESS OTHERWISE NOTED): M-2461	



**HORIZONTAL AIR RECEIVER**

DRAWN BY	DATE	SCALE: NONE
APP. BY	DATE	DRAWING NO. 304978