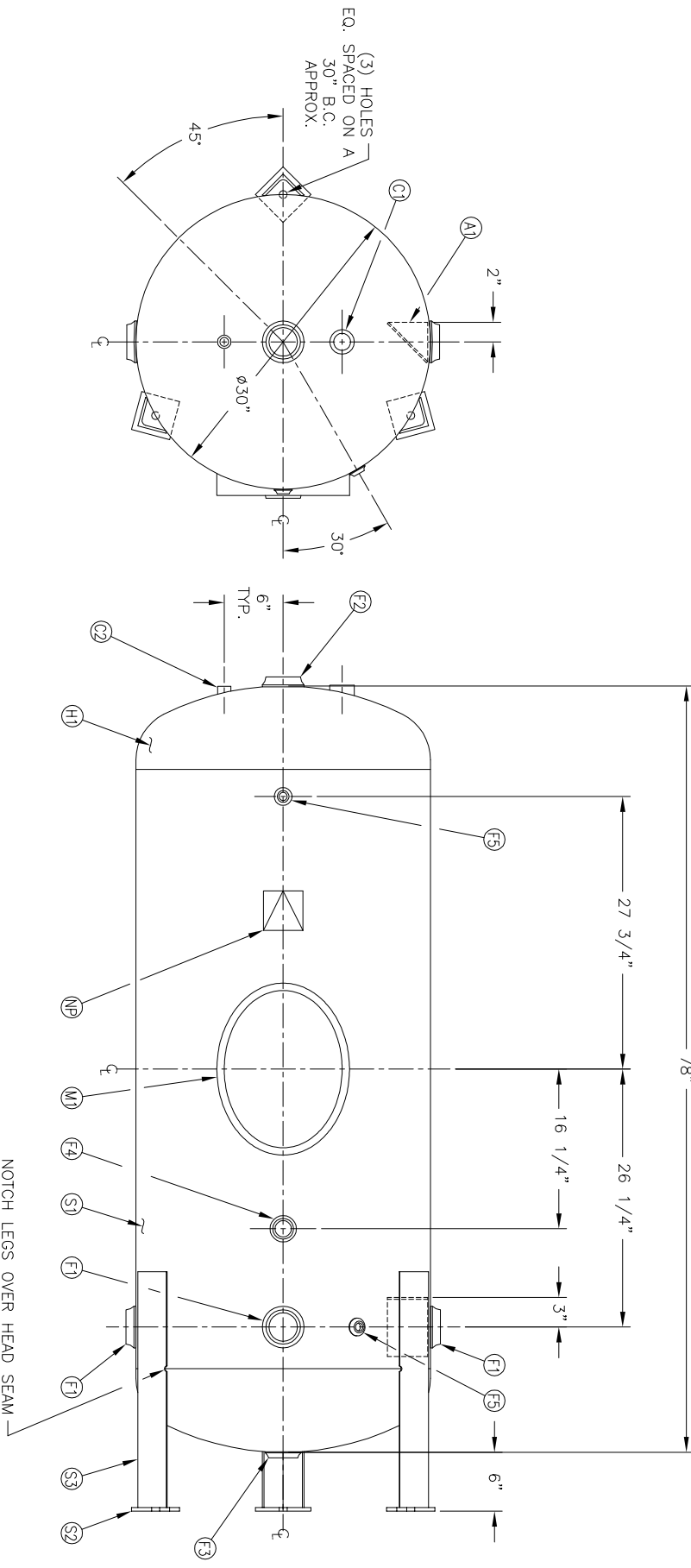


NO.	QTY.	DESCRIPTION	SPEC	SUB-DWG.
S1	1			
H1	2			
M1	1	12" X 16" X 3/4" X 4" 300# MANWAY	SA-675-70	
F1	3	2 1/2"-NPT 1500# RADIAL FLANGE	SA-181-70	
F2	1	2 1/2"-NPT 1500# FLAT FLANGE	SA-181-70	
F3	1	2"-NPT 1500# FLAT FLANGE	SA-181-70	
C1	1	1 1/2"-NPT 3000# FULL COUPLING	SA-105	
F4	1	1 1/4"-NPT 1500# RADIAL FLANGE	SA-181-70	
C2	1	3/4"-NPT 3000# FULL COUPLING	SA-105	
F5	2	1/2"-NPT 1500# FLAT FLANGE	SA-181-70	
A1	1	BAFFLE		A84451
S2	3	3/8" X 4" X 4" PAD	SA-516-70	
S3	3	1/4" X 3" X 3" ANGLE LEG X 24" LONG	SA-36	
NP	1	ASME DATA PLATE	C1010	

LEG/PAD DETAIL

MANWAY DETAIL



SW	DATE	BY	REVISION	APP	XREF	REV	NOTES	SPECIFICATIONS
							INTERIOR FINISH NOTE 1. 1/8" RADIUS ALL EDGES. 2. GRIND ALL INTERNAL WELDS SMOOTH. 3. SANDBLAST TO NEAR WHITE FINISH. 4. ALL VOIDS AND GAPS TO BE CAULKED 5. COAT WITH DEVCO 233H EPOXY.	O.D. 30 LGTH. 78 MAMP 150 PSI @ 250 F GAL. 225 WT. 510# CODE ASME SECT. VIII, DIV. 1 PER DATE OF DWG/LAST REV WELD DETAILS: M-1932 STD. TOLERANCES (UNLESS OTHERWISE NOTED): M-2461



30" X 78" VERT. EPOXY LINED WATER TANK

SCALE:	DRAWING NO.	DRAWN BY:	DATE:	APP. BY:	DATE:
NONE	302514				