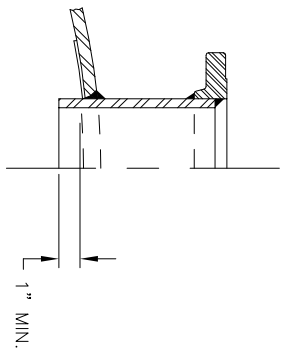
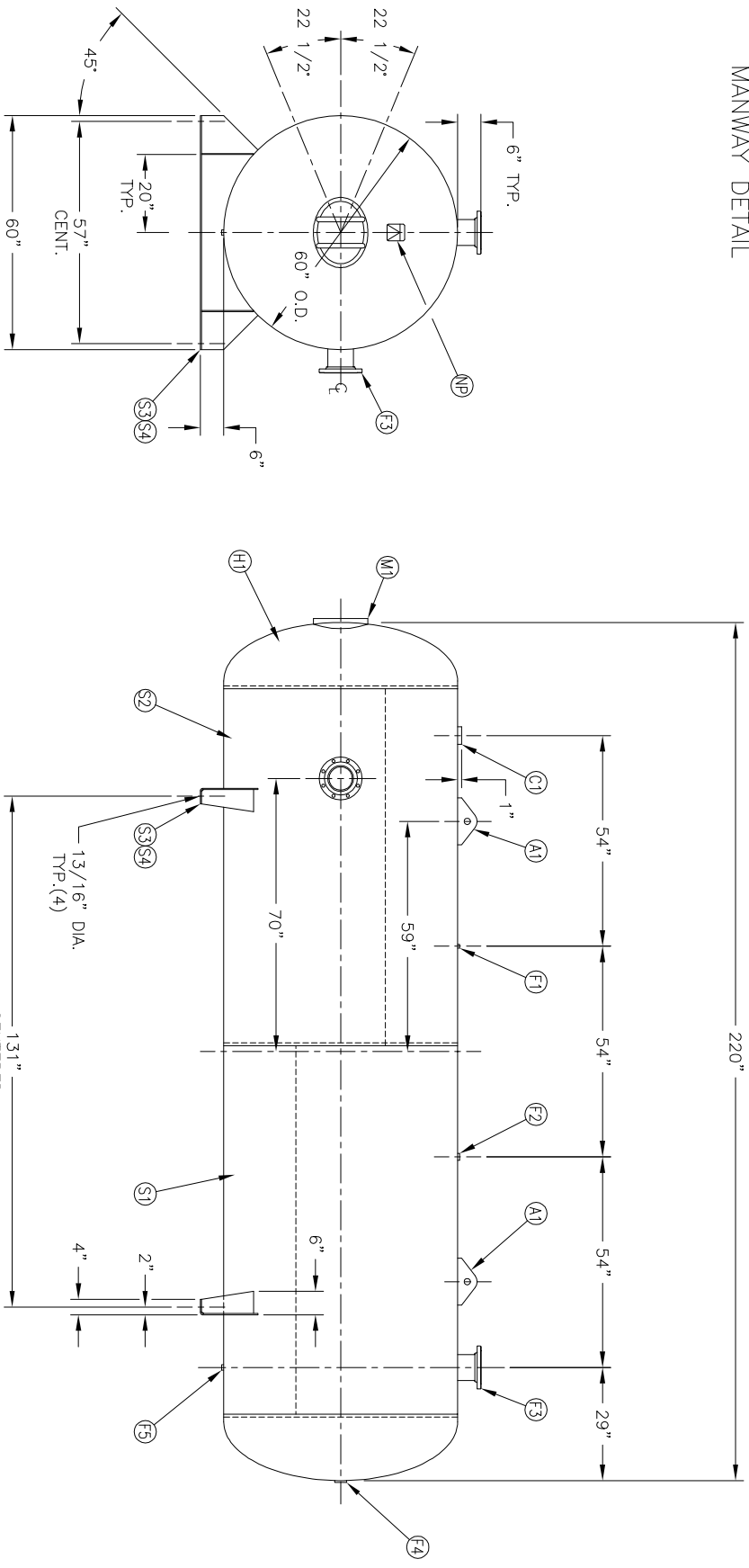


MANWAY DETAIL



NOZZLE DETAIL

NO. QTY	DESCRIPTION	SPEC	SUB-DWG.
S1 1			
S2 1			
H1 2			
C1 1	3 NPT 3000# HALF COUPLING	SA-105	
F1 1	1/4 NPT 1500# FLAT FLANGE	SA-181-70	
F2 1	1 NPT 1500# RADIAL FLANGE	SA-181-70	
F3 2	6" 150# ANSI RF.SO. FLANGE	SA-105	
F3 2	6" SCH.40 PIPE X 7 1/2" LONG	SA-106-B	
F4 2	.134 X 8 5/8" O.D. X 6 5/8" I.D. BACKING RING	C1008	
F4 1	2 NPT 1500# FLAT FLANGE	SA-181-70	
F5 1	3/4 NPT 1500# RADIAL FLANGE	SA-181-70	
M1 1	12" X 16" X 3/4" X 4" 300# MANWAY	SA-6/5-10/SA-106-C	
S3 2	5/16" X 18 1/8" X 60" SADDLE BRACKET	SA-36/C1008	
S4 4	5/16" X 6" X 13" GUSSET	SA-36/C1008	
A1 2	3/4" X 5" X 12" STANDARD HORIZ. LIFT LUG		
NP 1	ASME DATA PLATE	C1010	A84368



NOTES
 BREAK ALL EXPOSED INTERIOR NOZZLE EDGES
 ALL FLANGE BOLT HOLES TO SPADDLE VESSEL CENTERLINES

SPECIFICATIONS
 O.D. 60 LGTH. 220
 MAMP 137 PSI @ 450 F
 GNL 2560
 WT. 4500#
 CODE ASME SECT. VIII, DIV. 1
 PER DATE OF DWG/LAST REV



60" X 220" HORIZ.
 STANDARD AIR RECEIVER

SWM DATE	BY	REVISION	APP	XREF	REV

DRWN BY	DATE	SCALE	DRAWING NO.
APP. BY	DATE	NONE	302499