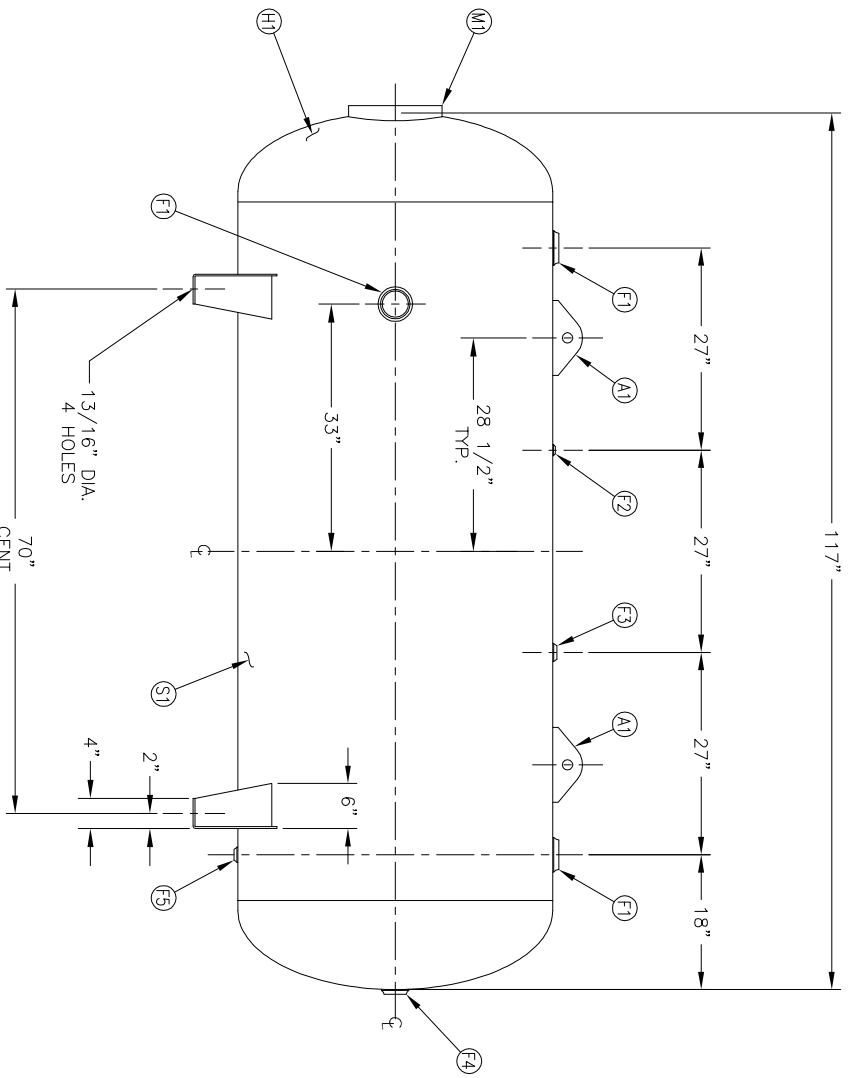
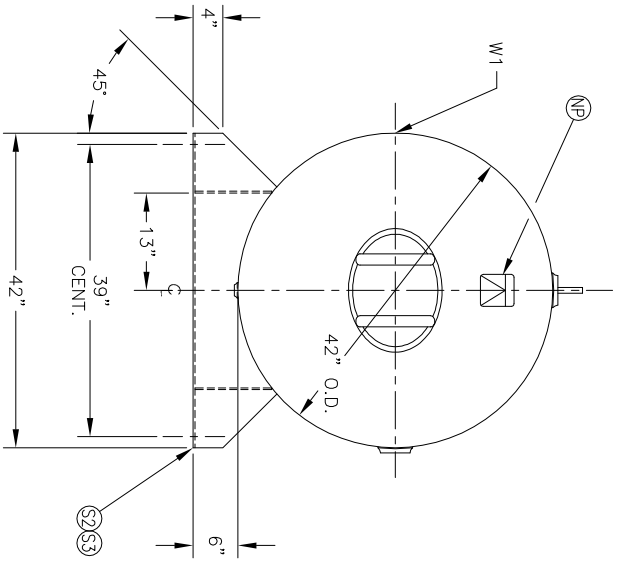


MANWAY DETAIL



NO. QTY	DESCRIPTION	SPEC	SUB-DWG.
S1 1			
H1 2			
F1 3	3"-NPT 1500# RADIAL FLANGE	SA-181-70	
F2 1	1/4"-NPT 1500# FLAT FLANGE	SA-181-70	
F3 1	1"-NPT 1500# RADIAL FLANGE	SA-181-70	
F4 1	2"-NPT 1500# FLAT FLANGE	SA-181-70	
F5 1	3/4"-NPT 1500# RADIAL FLANGE	SA-181-70	
M1 1	12" X 16" X 3/4" X 4" 300# MANWAY	SA-675-70/SA-106-C	A84539
S2 2	1/4" X 14 3/4" X 42" SADDLE BRACKET		A84539
S3 4	1/4" X 6" X 10" GUSSET		A84540
A1 2	1/2" X 4" X 10" STANDARD LIFT LUG FOR HORIZ.		
NP 1	ASME DATA PLATE	C1010	

SWM DATE	BY	REVISION	APP	NOTES	SPECIFICATIONS	DRAWN BY	DATE	SCALE
					O.D. 42 LGTH. 117 MAMP 137 PSI @ 450 F SH. MATL. HD. MATL. GALL 660 SA WT. 1375# CUFT. CRN. L8909.5C WELD DETAILS: M-1932 STD. TOLERANCES (UNLESS OTHERWISE NOTED): M-2461 CODE ASME SECT. VIII, DIV. 1 PER DATE OF DWG/LAST REV			



42" X 117"  
STANDARD AIR REC.

SCALE: NONE  
DRAWING NO. 302489