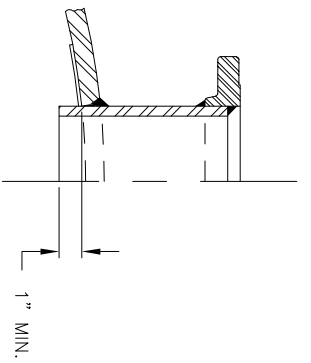
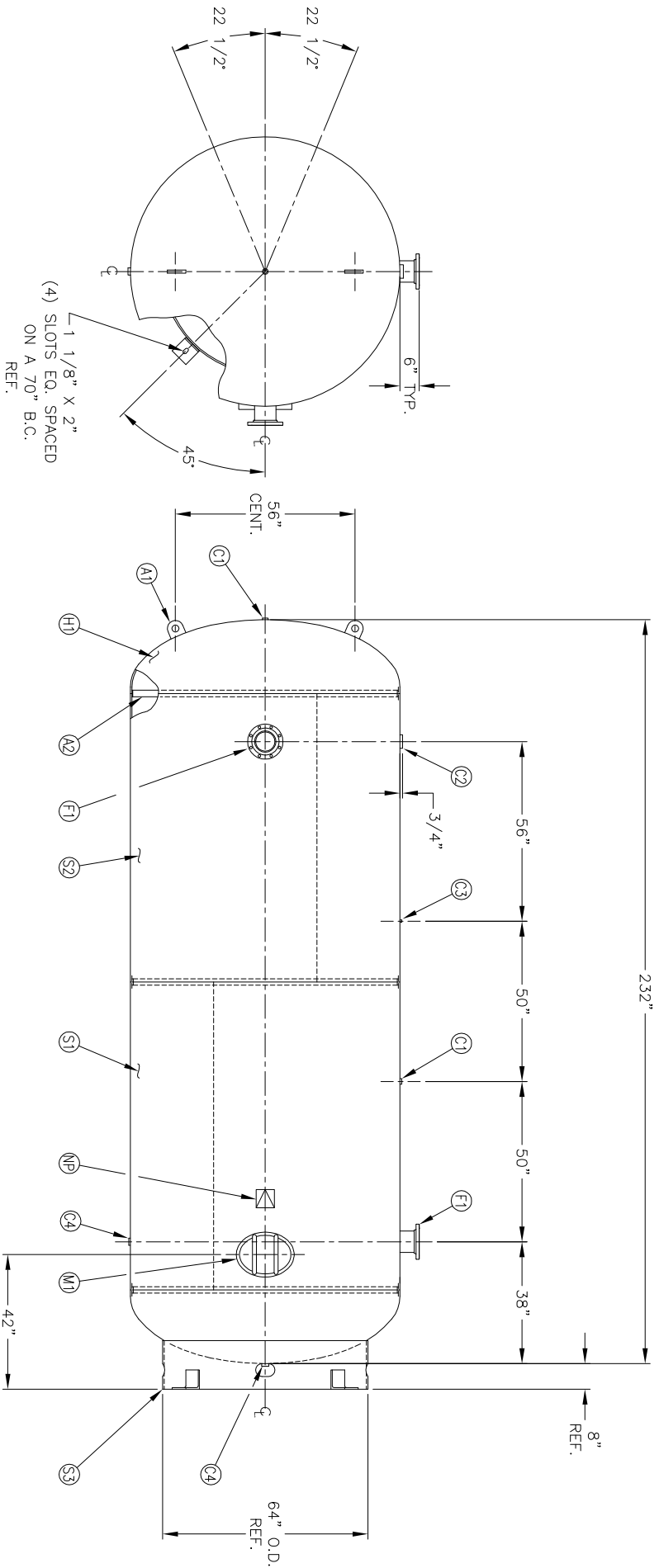


MANWAY DETAIL



6" NOZZLE DETAIL

NO. QTY	DESCRIPTION	SPEC	SUB-DWG.
S1 1			
S2 1			
H1 2			
C1 2	1 NPT 3000# FULL COUPLING	SA-105	
C2 1	3 NPT 3000# HALF COUPLING	SA-105	
C3 1	1/4 NPT 3000# FULL COUPLING	SA-105	
C4 2	1.1/4 NPT 3000# HALF COUPLING	SA-105	
F1 2	6" 150# ANSI RF. SO. FLANGE	SA-105	
F1 2	6" SCH.80 PIPE X 7 1/2" LONG	SA-106-B	
F1 2	.134 X 8 5/8" O.D. X 6 5/8" I.D. BACKING RING	C1008	
M1 1	12" X 16" X 3/4" X 4" 300# MANWAY	SA-106-C	
S3 1	STANDARD 8" SKIRT ASSEMBLY FOR 84" DIA. TANK	A86006	
A1 2	1" X 6" X 6" STANDARD LIFT LUG	A86004	
A2 3	3/16" X 2" X 260 3/16" BACKING RING	C1010	
NP 1	ASME DATA PLATE	C1010	



SWM	DATE	BY	REVISION	APP	XREF	REV	NOTES

SPECIFICATIONS	
O.D. 84	LGTH. 232
MAWP 165 PSI @ 450 F	
GAL. 5000	
WT. 10500	

84" X 232" VERT. STANDARD AIR RECEIVER	
SCALE: NONE	DRAWING NO. 302459

CODE ASME SECT. VIII, DIV. 1	
PER DATE OF DWG/LAST REV	
WEILD DETAILS: M-1932	
STD. TOLERANCES (UNLESS OTHERWISE NOTED): M-2461	

DRAWN BY		DATE		SCALE: NONE		DRAWING NO. 302459	
APP.	BY	DATE	DATE				



84" X 232" VERT. STANDARD AIR RECEIVER

SCALE: NONE
DRAWING NO. 302459