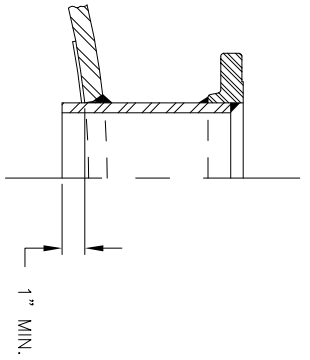
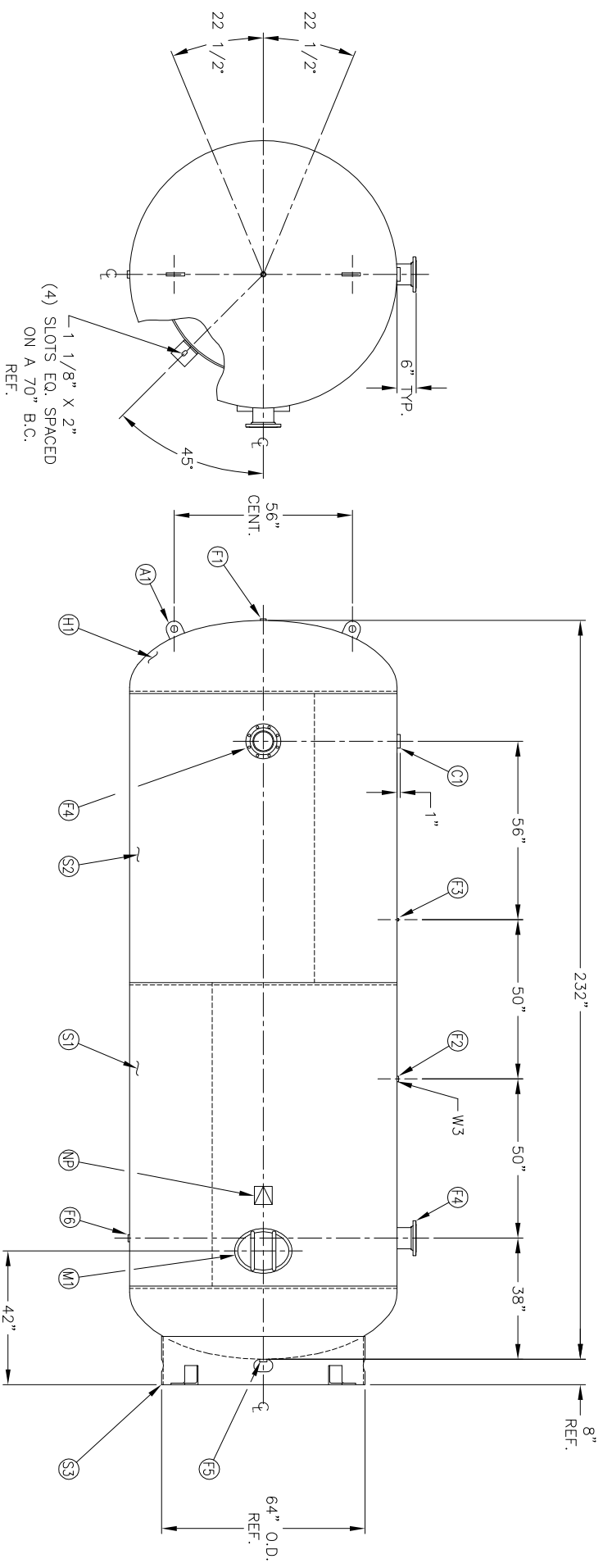


MANWAY DETAIL



6" NOZZLE DETAIL

| NO. QTY | DESCRIPTION | SPEC | SUB-DWG. |
|---------|---|-----------|----------|
| S1 1 | | | |
| S2 1 | | | |
| H1 2 | | | |
| C1 1 | 3"-NPT 3000# HALF COUPLING | SA-105 | |
| F1 1 | 1"-NPT 3000# FULL COUPLING | SA-105 | |
| F2 1 | 1"-NPT 1500# RADIAL FLANGE | SA-181-70 | |
| F3 1 | 1/4"-NPT 1500# FLAT FLANGE | SA-181-70 | |
| F4 2 | 6" 150# ANSI RF. SO. FLANGE | SA-105 | |
| F4 2 | 6" SCH.80 PIPE X 7 1/2" LONG | SA-106-B | |
| F4 2 | .134 X 8 5/8" O.D. X 6 5/8" I.D. BACKING RING | C1008 | |
| F5 1 | 1 1/4"-NPT 3000# HALF COUPLING | SA-105 | |
| F6 1 | 1 1/4"-NPT 1500# RADIAL FLANGE | SA-181-70 | |
| M1 1 | 12" X 16" X 3/4" X 4" 300# MANWAY | SA-675-70 | |
| S3 1 | STANDARD 8" SKIRT ASSEMBLY FOR 84" DIA. TANK | | A86006 |
| A1 2 | 1" X 6" X 6" STANDARD LIFT LUG | | A86004 |
| NP 1 | ASME DATA PLATE | C1010 | |



| REV | DATE | BY | REVISION | APP | XREF | REV | NOTES |
|-----|------|----|----------|-----|------|-----|-------|
| | | | | | | | |

SPECIFICATIONS

O.D. 84 LGH. 232
 MAMP 137 PSI @ 450 F

GRN. M0450.5
 WELD DETAILS: M-1932
 STD. TOLERANCES (UNLESS OTHERWISE NOTED): M-2461

QAL 5000 S.A.
 WT. 7950 CU.FT.

CODE ASME SECT.VIII, DIV.1
 PER DATE OF DWG/LAST REV



Q: 3000

VERTICAL AIR RECEIVER

| | | |
|----------|------|--------------------|
| DRAWN BY | DATE | SCALE: NONE |
| APP. BY | DATE | DRAWING NO. 302458 |