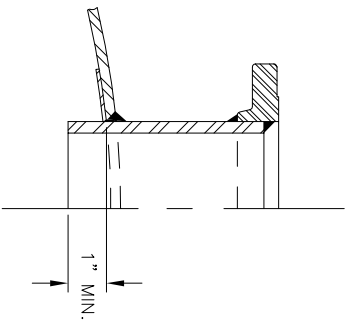
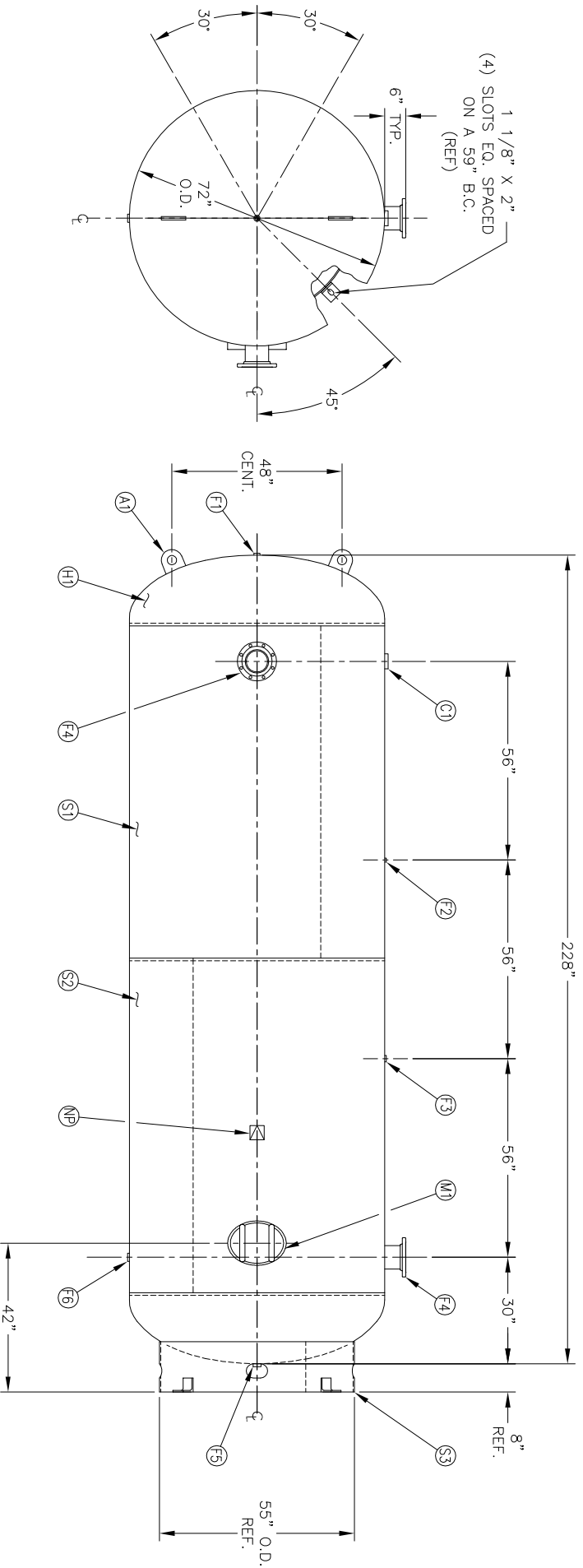


MANWAY DETAIL



NOZZLE DETAIL

NO. QTY.	DESCRIPTION	SPEC	SUB-DWG.
S1 1			
S2 1			
H1 2			
C1 1	3 NPT 3000# HALF COUPLING	SA-105	
F1 1	1 NPT 1500# FLAT FLANGE	SA-181-70	
F2 1	1/4 NPT 1500# FLAT FLANGE	SA-181-70	
F3 1	1 NPT 1500# RADIAL FLANGE	SA-181-70	
F4 2	6" 150# ANSI RF.SO. FLANGE	SA-105	
F4 2	6" SCH.80 PIPE X 7 1/2" LONG	SA-106-B	
F4 2	.134 X 8 5/8" O.D. X 6 5/8" I.D. BACKING RING	C1008	
F5 1	1.1/4 NPT 1500# FLAT FLANGE	SA-181-70	
F6 1	1.1/4 NPT 1500# RADIAL FLANGE	SA-181-70	
M1 1	12" X 16" X 3/4" X 4" 300# MANWAY	SA-675-70	
A1 2	1" X 6" X 6" STANDARD LIFT LUG		A86004
S3 1	STANDARD 8" SKIRT & CLIP ASSY. FOR 72" DIA. TANK		A86003
NP 1	ASME DATA PLATE	C1010	



SW/ DATE	BY	REVISION	APP	XREF	REV	NOTES	SPECIFICATIONS	DRAWN BY	DATE	SCALE	DRAWING NO.
							O.D. 72 LGTH. 228 MAMP 165 PSI @ 450 F CERN T1800.26 WELD DETAILS: M-1932 STD. TOLERANCES (UNLESS OTHERWISE NOTED): M-2461			NONE	302467



72" X 228" VERTICAL
STANDARD AIR RECEIVER

Q:\3000