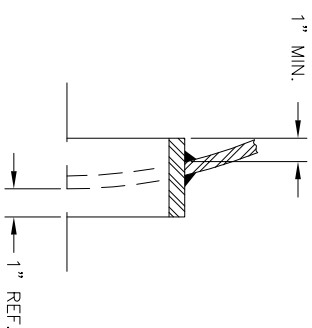
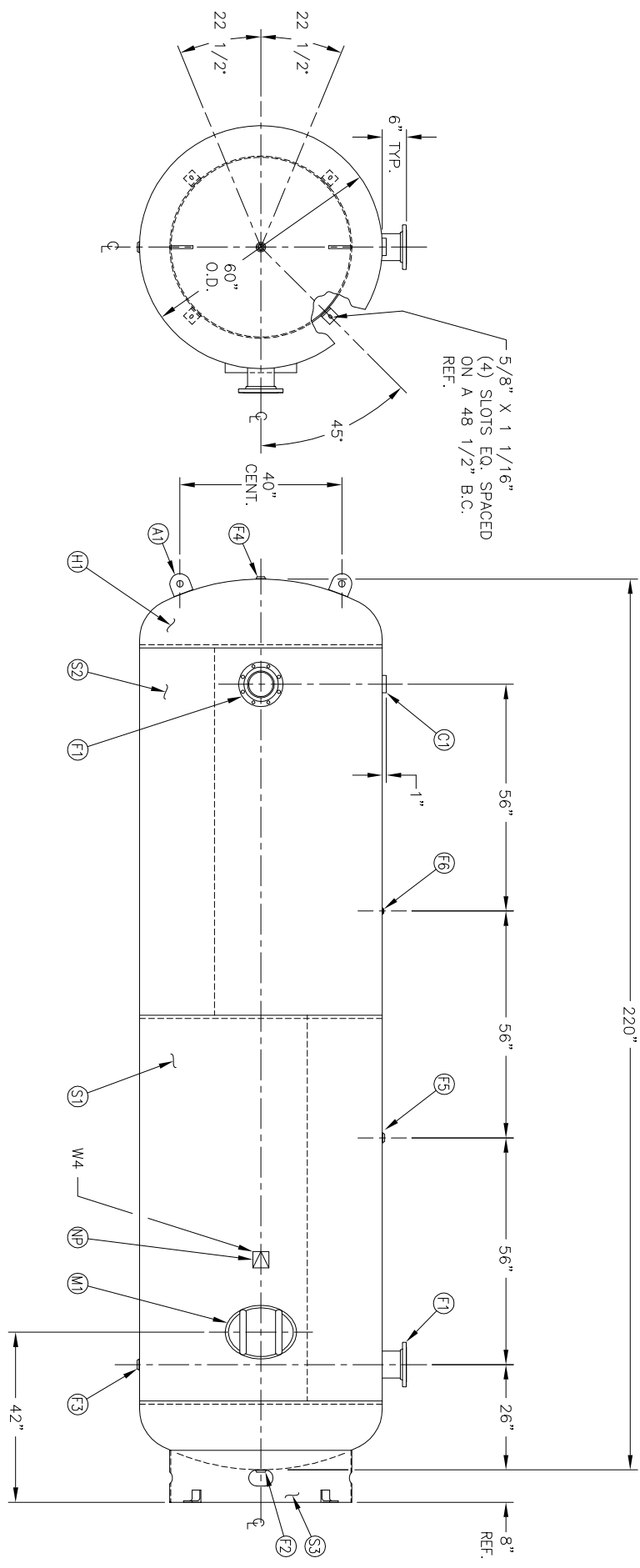


6" NOZZLE DETAIL



MANWAY DETAIL

NO. QTY.	DESCRIPTION	SPEC	SUB-DWG.
S1 1			
S2 1			
H1 2			
F1 2	6" 150# ANSI RF.SO. FLANGE	SA-105	
F1 2	6" SCH.80 PIPE X 7 1/2" LONG	SA-106-B	
F1 2	.134 X 8 5/8" O.D. X 6 5/8" I.D. BACKING RING	C1008/SA-36	
F2 1	1 1/4"-NPT 1500# FLAT FLANGE	SA-181-70	
F3 1	1 1/4"-NPT 1500# RADIAL FLANGE	SA-181-70	
F4 1	1"-NPT 1500# FLAT FLANGE	SA-181-70	
F5 1	1"-NPT 1500# RADIAL FLANGE	SA-181-70	
F6 1	1/4"-NPT 1500# FLAT FLANGE	SA-181-70	
C1 1	3"-NPT 3000# HALF COUPLING	SA-105	
M1 1	12" X 16" X 3/4" X 4" 300# MANWAY	SA-6/5-70/SA-106-C	A84524
A1 2	3/4" X 5" X 5" STANDARD LIFT LUG		A85012
S3 1	STANDARD 8" SKIRT & CLIP ASSY. FOR 60" DIA.		
NP 1	ASME DATA PLATE	C1010	



SWM DATE	BY	REVISION	APP	XREF	REV	NOTES	SPECIFICATIONS
							O.D. 60 LGH. 220 MAMP 200 PSI @ 400 F CRN. M13165 WELD DETAILS: M-1932 STD. TOLERANCES (UNLESS OTHERWISE NOTED): M-2461 GAL. 2560 SA WT. 5300# CUFT. CODE ASME SEC. VIII DIV. 1 PER DATE OF DWG/LAST REV



60" X 220" VERT.
STANDARD AIR RECEIVER

DRAWN BY	DATE	SCALE: NONE
APP. BY	DATE	DRAWING NO. 302453