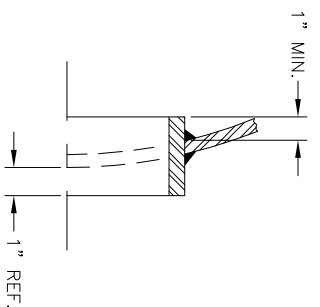
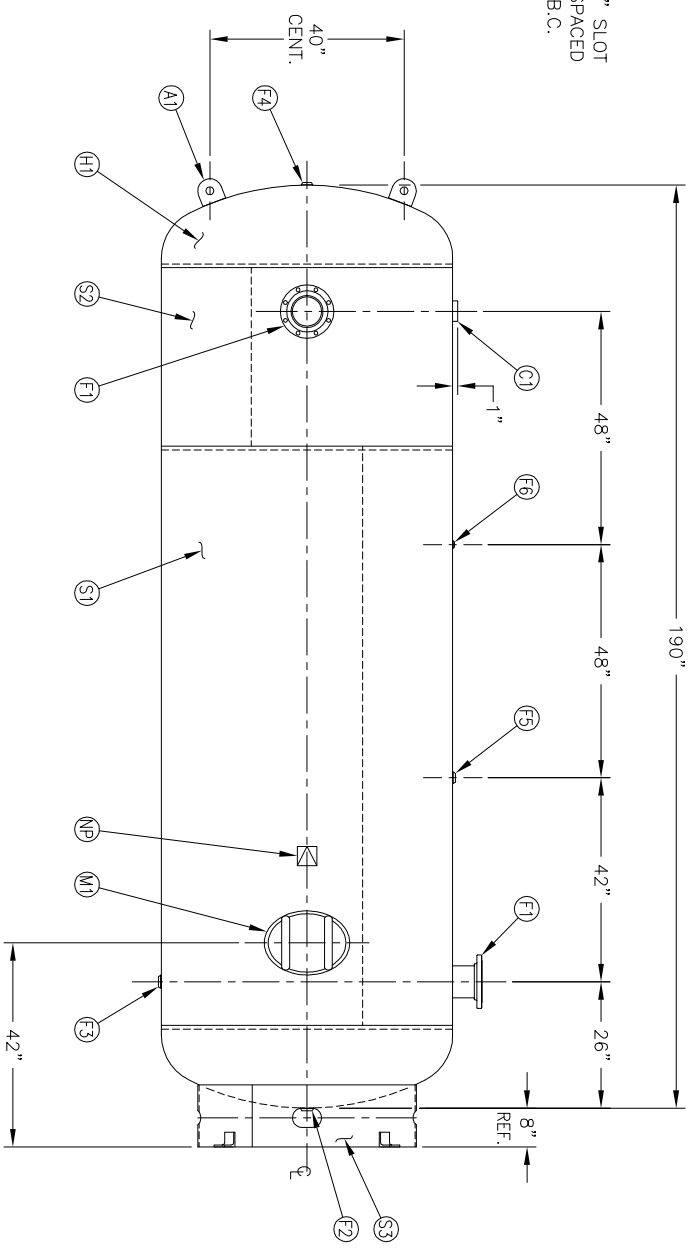
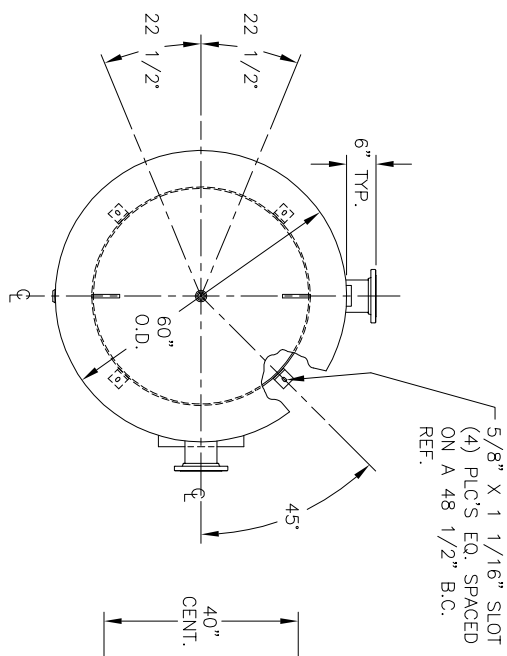


6" NOZZLE DETAIL



MANWAY DETAIL

| NO. QTY. | DESCRIPTION                                   | SPEC      | SUB-DWG. |
|----------|---|-----------|----------|
| S1 1     |   |           |          |
| S2 1     |   |           |          |
| H1 2     |   |           |          |
| F1 2     | 6" 150# ANSI RF. SO. FLANGE                   | SA-105    |          |
| F1 2     | 6" S/80 PIPE X 7 1/2" LONG                    | SA-106-B  |          |
| F1 2     | .134 X 8 5/8" O.D. X 6 5/8" I.D. BACKING RING | C1008     |          |
| F2 1     | 1 1/4"-NPT 1500# FLAT FLANGE                  | SA-181-70 |          |
| F3 1     | 1 1/4"-NPT 1500# RADIAL FLANGE                | SA-181-70 |          |
| F4 1     | 1"-NPT 1500# FLAT FLANGE                      | SA-181-70 |          |
| F5 1     | 1"-NPT 1500# RADIAL FLANGE                    | SA-181-70 |          |
| F6 1     | 1/4"-NPT 1500# FLAT FLANGE                    | SA-181-70 |          |
| C1 1     | 3"-NPT 3000# HALF COUPLING                    | SA-105    |          |
| M1 1     | 12" X 16" X 3/4" X 4" 300# MANWAY             | SA-106-C  |          |
| A1 2     | 3/4" X 5" X 5" STANDARD LIFT LUG              |           | A84524   |
| S3 1     | STANDARD 8" SKIRT & CLIP ASSY. FOR 60" DIA.   |           | A85012   |
| NP 1     | ASME DATA PLATE                               | C1010     |          |



| REV. | DATE | BY | REVISION | APP. | XREF. | REV. | NOTES | SPECIFICATIONS   |
|------|------|----|----------|------|-------|------|-------|--|
|      |      |    |          |      |       |      |       | O.D. 60 LGH. 190<br>MAMP 200 PSI @ 400 F<br>GAL. 2200<br>W.T. 4500<br>CODE ASME SEC. VIII DIV. 1<br>PER DATE OF DWG/LAST REV<br>STD. TOLERANCES (UNLESS OTHERWISE NOTED): M-2461 |



VERTICAL AIR RECEIVER

|          |      |                    |
|----------|------|--------------------|
| DRAWN BY | DATE | SCALE: NONE        |
| APP. BY  | DATE | DRAWING NO. 302450 |