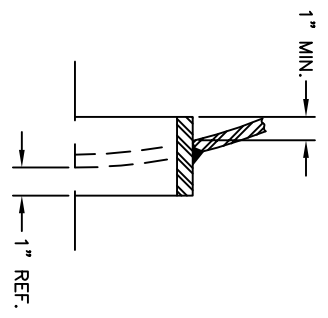
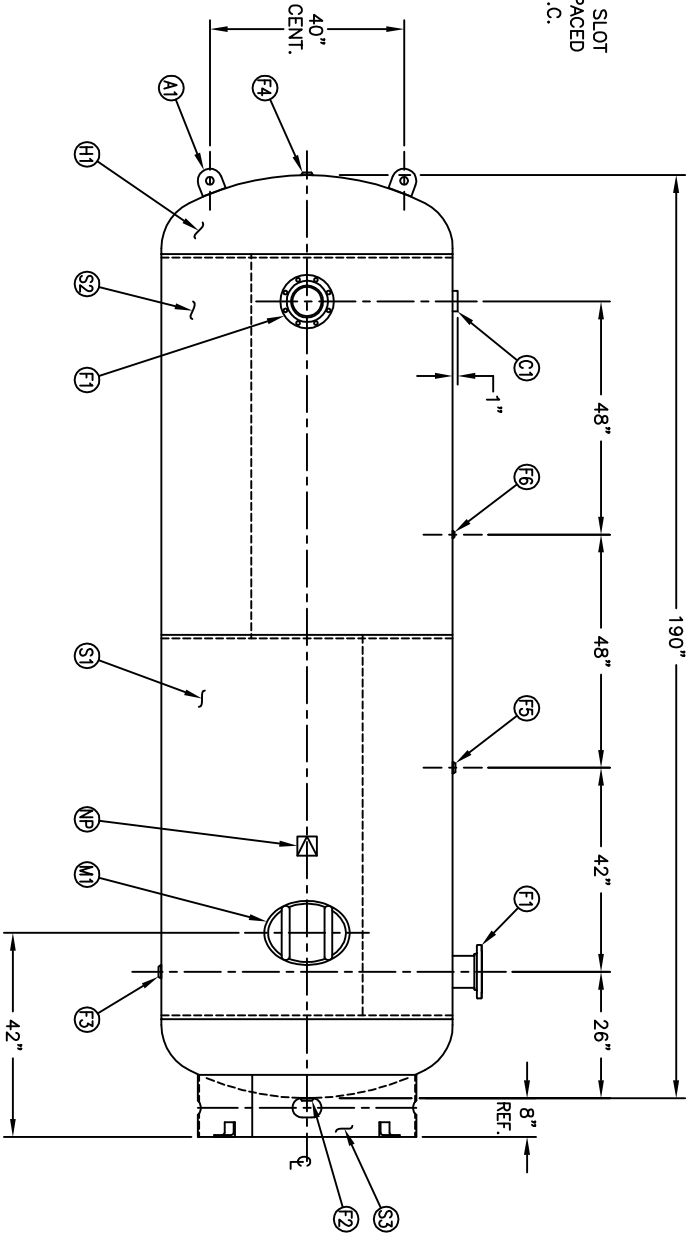
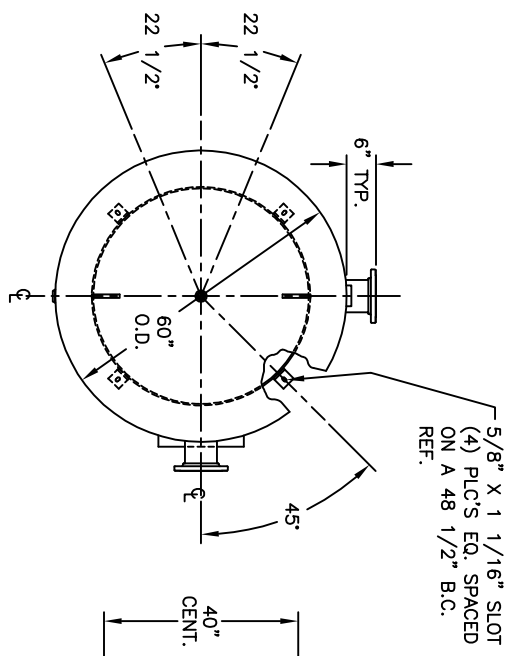


6" NOZZLE DETAIL



MANWAY DETAIL

NO.	QTY.	DESCRIPTION	SPEC	SUB-DWG.
S1	1			
S2	1			
H1	2			
F1	2	6" 150# ANSI RF. SO. FLANGE	SA-105	
F1	2	6" S/80 PIPE X 7 1/2" LONG	SA-106-B	
F1	2	.134 X 8 5/8" O.D. X 6 5/8" I.D. BACKING RING	C1008/SA-36	
F2	1	1 1/4"-NPT 1500# FLAT FLANGE	SA-181-70	
F3	1	1 1/4"-NPT 1500# RADIAL FLANGE	SA-181-70	
F4	1	1"-NPT 1500# FLAT FLANGE	SA-181-70	
F5	1	1"-NPT 1500# RADIAL FLANGE	SA-181-70	
F6	1	1/4"-NPT 1500# FLAT FLANGE	SA-181-70	
C1	1	3"-NPT 3000# HALF COUPLING	SA-105	
M1	1	12" X 16" X 3/4" X 4" 300# MANWAY	SA-106-C	
A1	2	3/4" X 5" X 5" STANDARD LIFT LUG		A84524
S3	1	STANDARD 8" BASERING ASSEMBLY FOR 60" DIA.		A85012
NP	1	ASME DATA PLATE	C1010	



REV	DATE	BY	REVISION	APP	REF	REV	NOTES

SPECIFICATIONS

O.D. 60	LGTH. 190
MAWP 165 PSI @ 450 F	
	QAL 2200
	WT. 3535

VERTICAL AIR RECEIVER

CEN. D5510.6; M0749.54	CODE ASME SEC. VIII DIV. 1
WELD DETAILS: M-1932	PER DATE OF DWG/LAST REV
STD. TOLERANCES (UNLESS OTHERWISE NOTED): M-2461	



DRAWN BY	DATE	SCALE: NONE
APP. BY	DATE	DRAWING NO. 302449