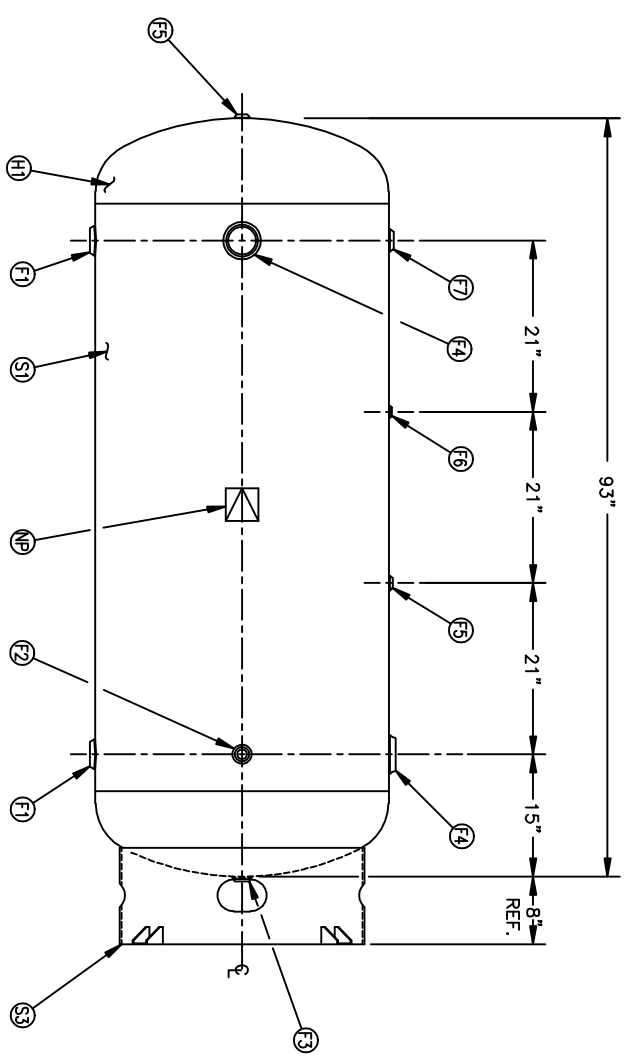
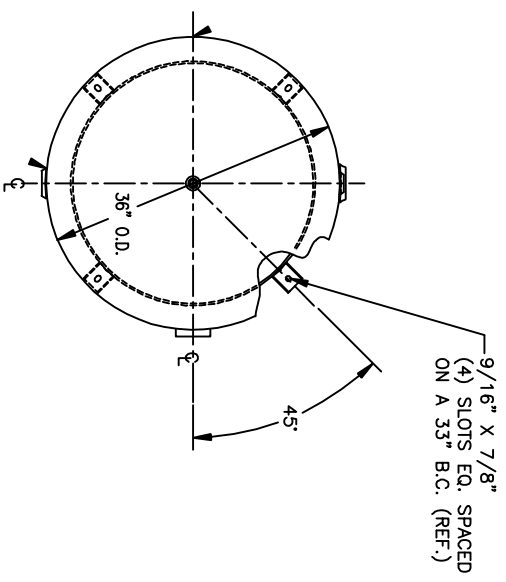


FIND NO.	NPT SIZE
F1	2
F2	1
F3	1
F4	3
F5	1/2
F6	1/4
F7	1 1/2



SPL	DATE	BY	REVISION	APP	REF	REV	NOTES	SPECIFICATIONS	DRAWN BY	DATE	SCALE	DRAWING NO.
A	4-03	CH		JR				O.D. 36" LTH. 93" MAMP 300 PSI @ 450 °F CRN D6408.6T WELD DETAILS: M-1932 STD. TOLERANCES (UNLESS OTHERWISE NOTED): M-2461			NONE	302434
									MANCHESTER 36" X 93" VERT. STANDARD AIR RECEIVER Q.A. 3000			