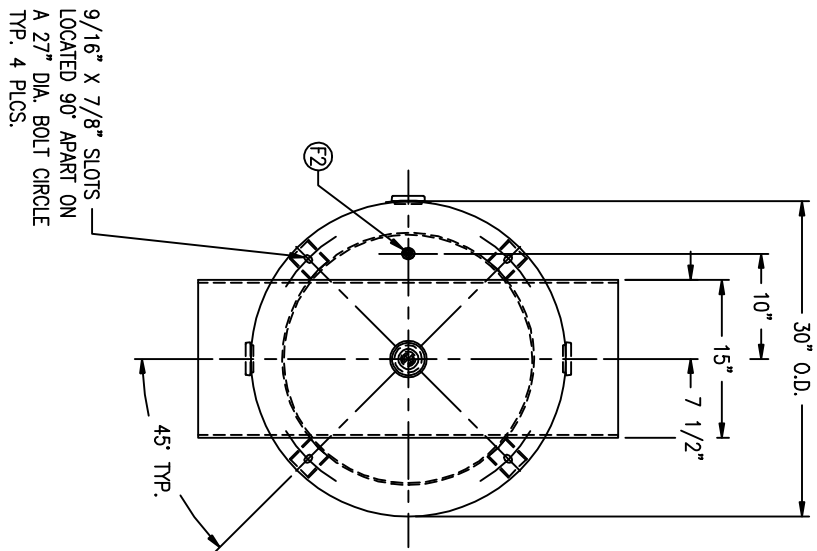
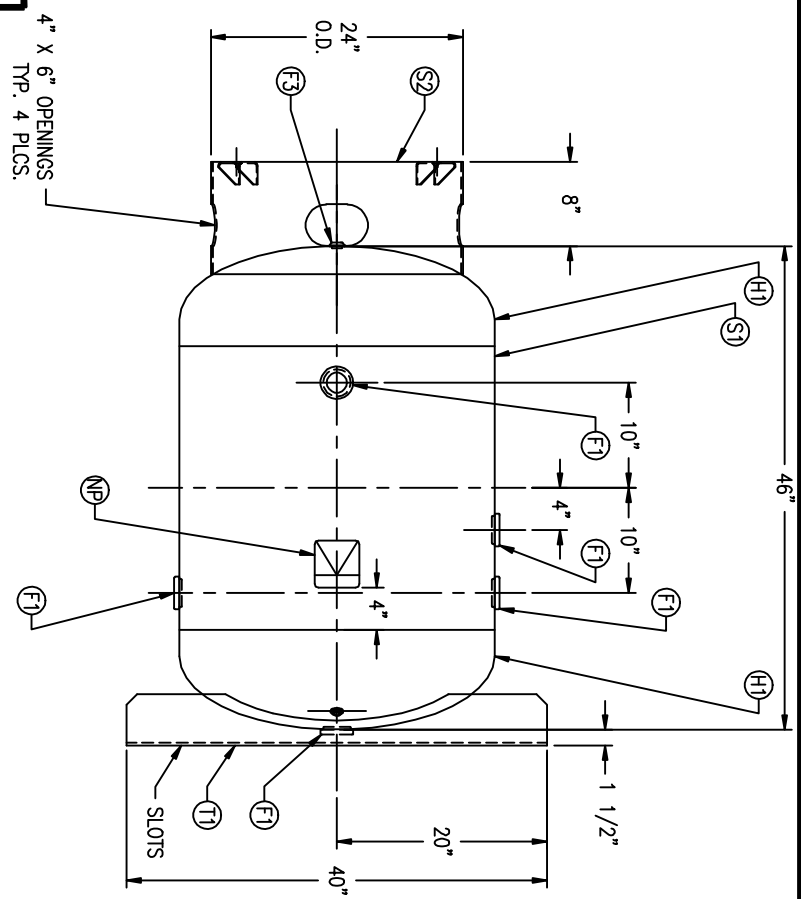


CODE/ADDENDA APPROVED  
 RELEASED FOR PRODUCTION  
 Q.C. \_\_\_\_\_ DATE \_\_\_\_\_

FIND NO.	NPT SIZE
F1	2
F2	1/4
F3	1/2

S/M DATE	BY	REVISION



NOTES

SPECIFICATIONS

O.D. 30 LGTH. 46  
 MAMP 300 PSI @ 400 °F

GAL. 120 S.A. 33.0  
 WT. 494# CU.FT. 16.0

CRN F1626.123456  
 WELD DETAILS: M-1932  
 STD. TOLERANCES (UNLESS OTHERWISE NOTED): M-2461



\\CORP2\DWG\302

**VERTICAL AIR RECEIVER**

DRAWN BY	DATE	SCALE: NONE
APP. BY	DATE	DRAWING NO. 302425