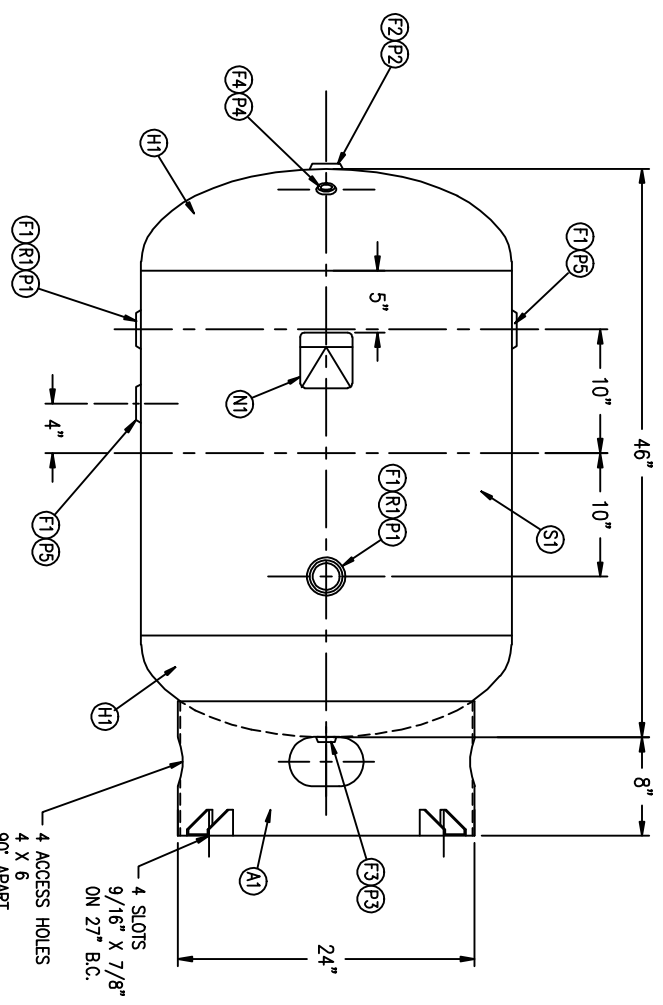
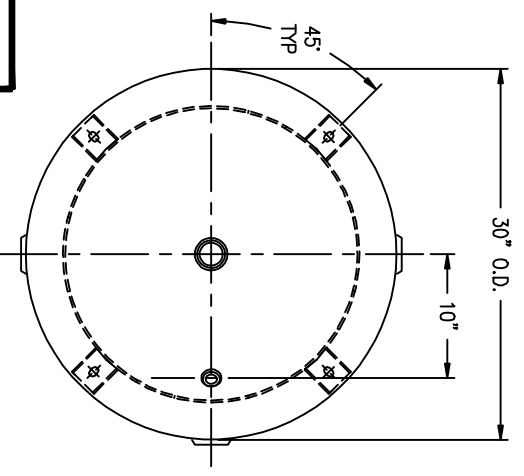


CODE/ADDENDUM _____ APPROVED _____
 RELEASED FOR PRODUCTION _____
 Q.C. _____ DATE _____



FIND NO.	NPT SIZE
F1	2
F2	2
F3	1/2
F4	1/4

SYML	DATE	BY	REVISION
APP			

NOTES

SPECIFICATIONS

O.D.: 30 LGTH: 46
 MAMP: 200 PSI @ 400° F

GAL: 120
 WT: 368#

CRN F0628.1C
 CODE: ASME / NB
 PER DATE OF DWG/LAST REV

WELD DETAILS M-1932
 STD. TOLERANCES (UNLESS OTHERWISE NOTED) M-2461



QT: 3000

VERTICAL AIR RECEIVER
120 GALLON

REF 263004600215
 35557

DRAWN BY	DATE	SCALE:	NONE
APP. BY	DATE	DRAWING NO.	302423