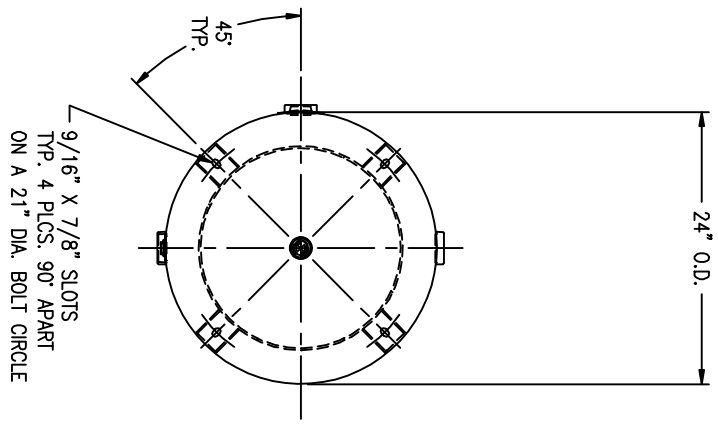
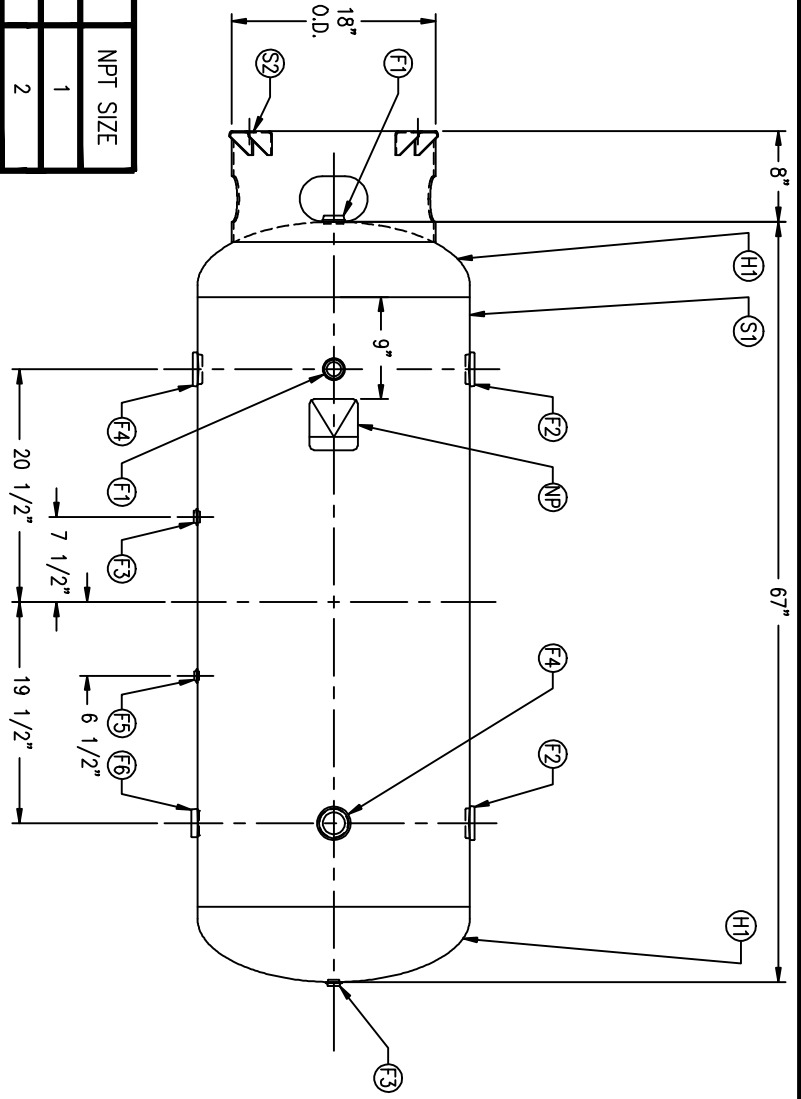


CODE/ADDENDA _____ APPROVED _____
 RELEASED FOR PRODUCTION
 Q.C. _____ DATE _____

FIND NO.	NPT SIZE
F1	1
F2	2
F3	1/2
F4	2
F5	1/4
F6	1 1/2



SYMBOL DATE BY REVISION

APP. XREF. REV.

NOTES

SPECIFICATIONS



VERTICAL AIR RECEIVER

O.D. 24 LGTH. 67
 MAWP 300 PSI @ 650 °F
 CRN F1166.1C
 WELD DETAILS: M-1932
 STD. TOLERANCES (UNLESS OTHERWISE NOTED): M-2461

GAL 117.4 SA. 36.9
 WT. 379# CU.FT. 16.7
 CODE ASME UW-12(c)
 PER DATE OF DWG/LAST REV

DRAWN BY _____ DATE _____ SCALE: NONE
 APP. BY _____ DATE _____ DRAWING NO. 302422