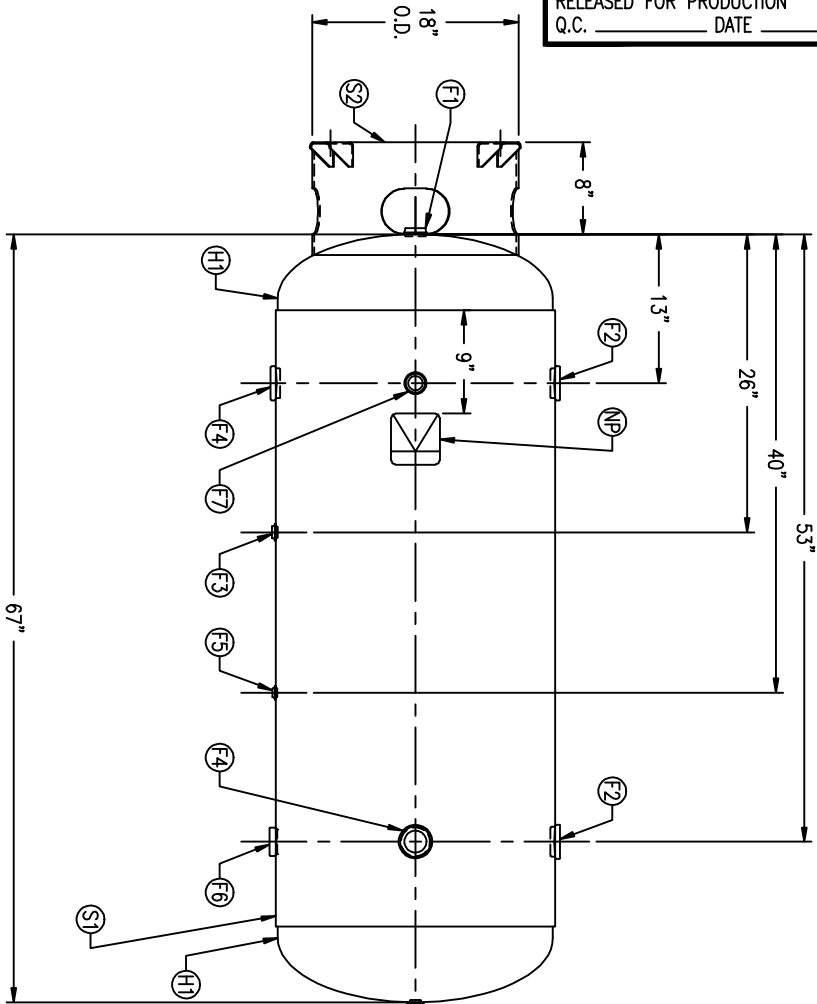


CODE/ADDENDA 2004/2005 APPROVED TA
 RELEASED FOR PRODUCTION
 Q.C. _____ DATE _____



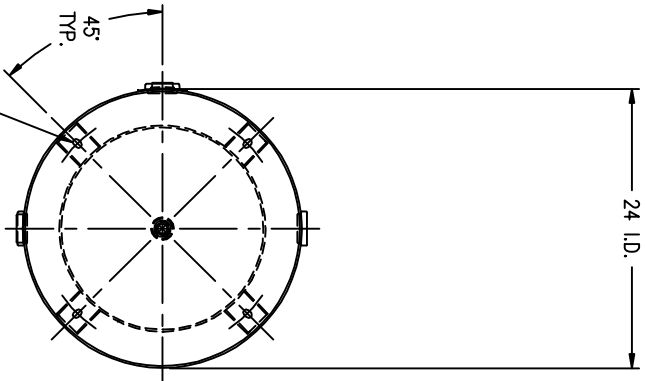
FIND NO.	NPT SIZE
F1	1
F2	2
F3	1/2
F4	2
F5	1/4
F6	1 1/2
F7	1

SPECIFICATIONS

I.D. 24 LGTH. 67
 MAMP 200 PSI @ 650 °F

QAL. 120 S.A. 37.5
 WT. 325# CULFT. 16.0

CRN E7400.2C
 WELD DETAILS: M-1932
 STD. TOLERANCES (UNLESS OTHERWISE NOTED): M-2461



9/16" X 7/8" SLOTS
 TYP. 4 PLCS. 90° APART
 ON A 21" DIA. BOLT CIRCLE



H:\3000\

VERTICAL AIR RECEIVER

DRAWN BY	DATE	SCALE: NONE
APP. BY	DATE	DRAWING NO. 302421

SYMBOL	DATE	BY	REVISION	APP. XREF. REV.	NOTES
				C1097 A	