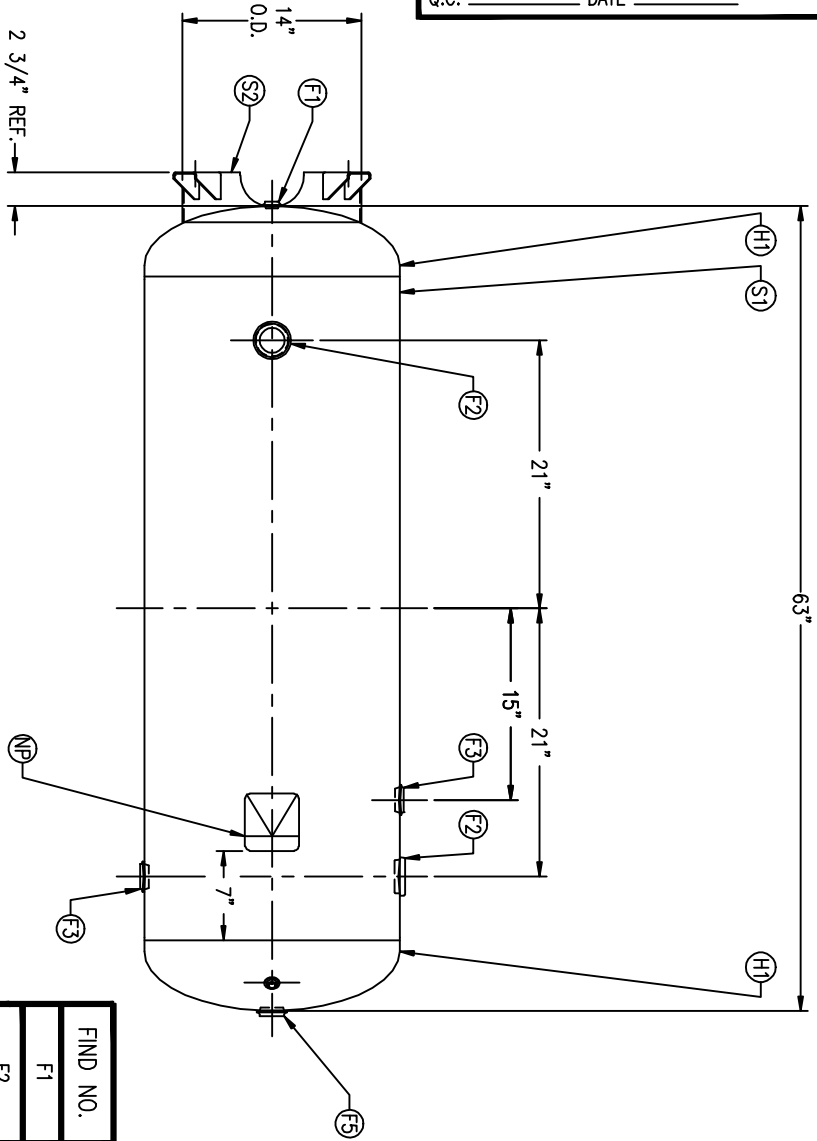


CODE/ADDENDA \_\_\_\_\_ APPROVED  
 RELEASED FOR PRODUCTION  
 Q.C. \_\_\_\_\_ DATE \_\_\_\_\_



FIND NO.	NPT SIZE
F1	1/2
F2	2
F3	1 1/4
F4	1/4
F5	1 1/4

SPECIFICATIONS

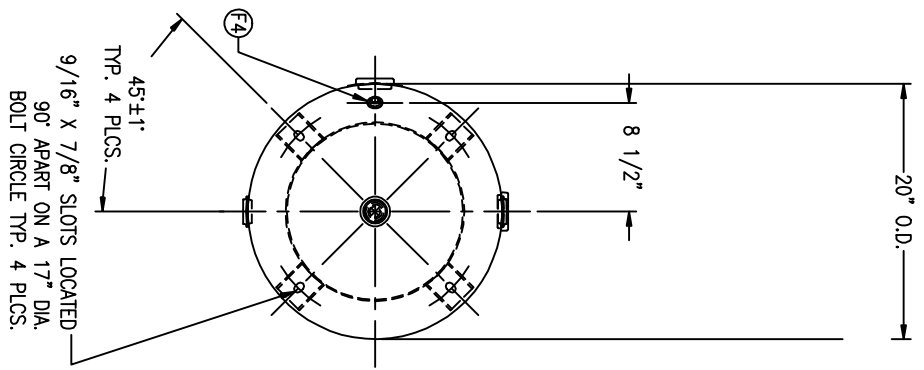
O.D. 20 LGTH. 63  
 MAWP 300 PSI @ 650 F

GAL. 80  
 WT. 268# CU.FT. 10.3

CRN F1164.11C

WELD DETAILS: M-1932

STD. TOLERANCES (UNLESS OTHERWISE NOTED): M-2461



\\CORP2\DWG\302

VERTICAL AIR RECEIVER

DRAWN BY	DATE	SCALE: NONE
APP. BY	DATE	DRAWING NO. 302415

SYMBOL	DATE	BY	REVISION	APP	XREF	REV	NOTES
					C1006 B		
					C1007 A		