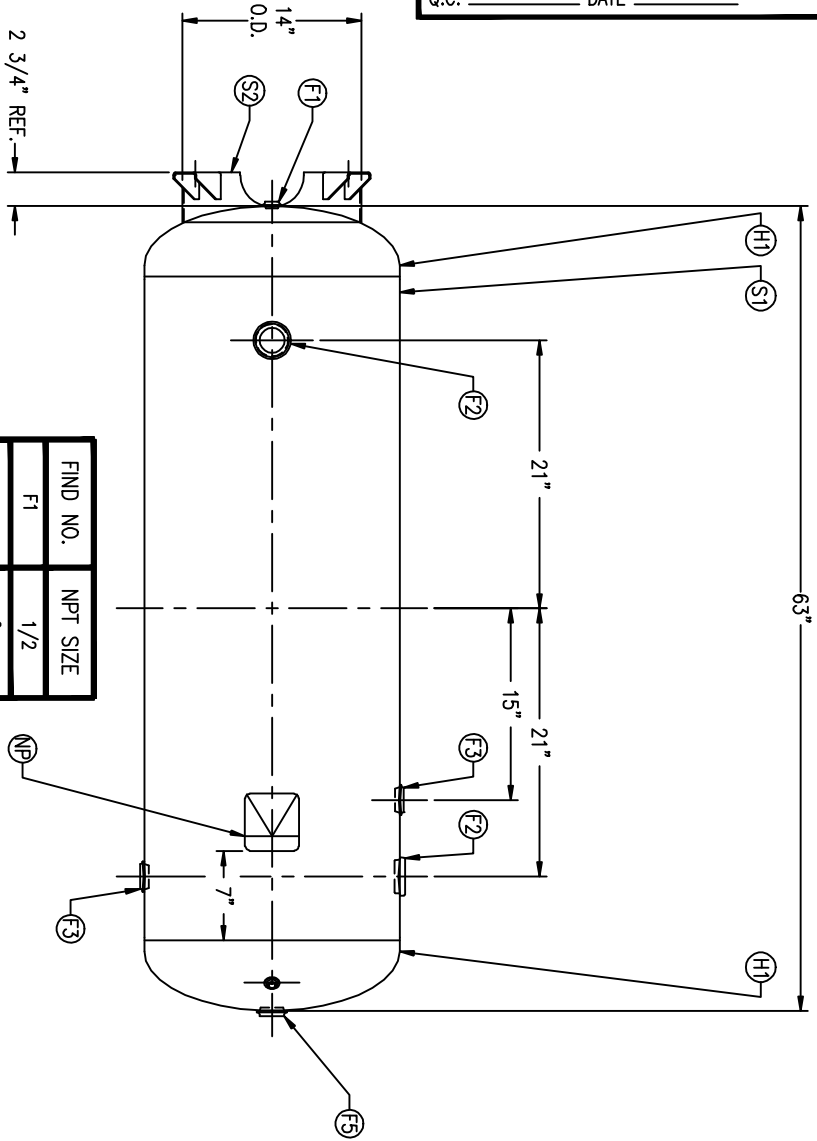


CODE/ADDENDA 2004/2006 APPROVED JR  
 RELEASED FOR PRODUCTION  
 Q.C. \_\_\_\_\_ DATE \_\_\_\_\_



FIND NO.	NPT SIZE
F1	1/2
F2	2
F3	1 1/4
F4	1/4
F5	1 1/4

SYM	DATE	BY	REVISION	APP	XREF	REV	NOTES
					C1005 A		
					C1007 A		

**SPECIFICATIONS**

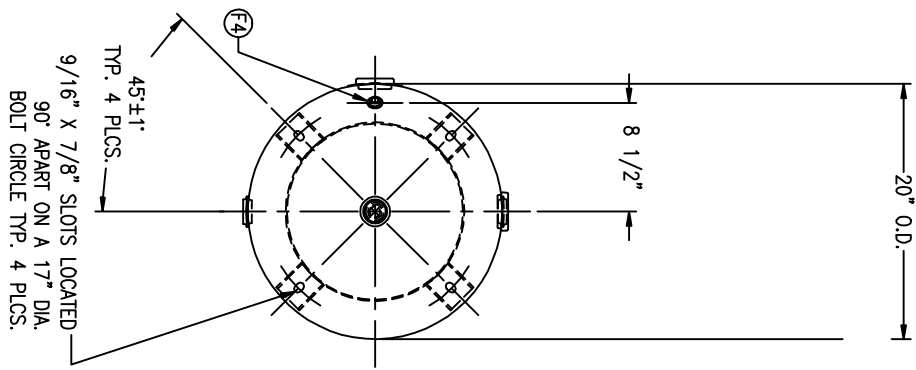
O.D. 20 LGTH. 63  
 MAWP 200 PSI @ 650 F

GAL. 80  
 WT. 198#

CRN F0516.1C

CODE: ASME SEC. VIII DIV. 1  
 LATEST EDITION & ADDENDA

WELD DETAILS: M-1932  
 STD. TOLERANCES (UNLESS OTHERWISE NOTED): M-2461



\\CORP2\DWG\302

**VERTICAL AIR RECEIVER**

DRAWN BY	DATE	SCALE: NONE
APP. BY	DATE	DRAWING NO. 302414