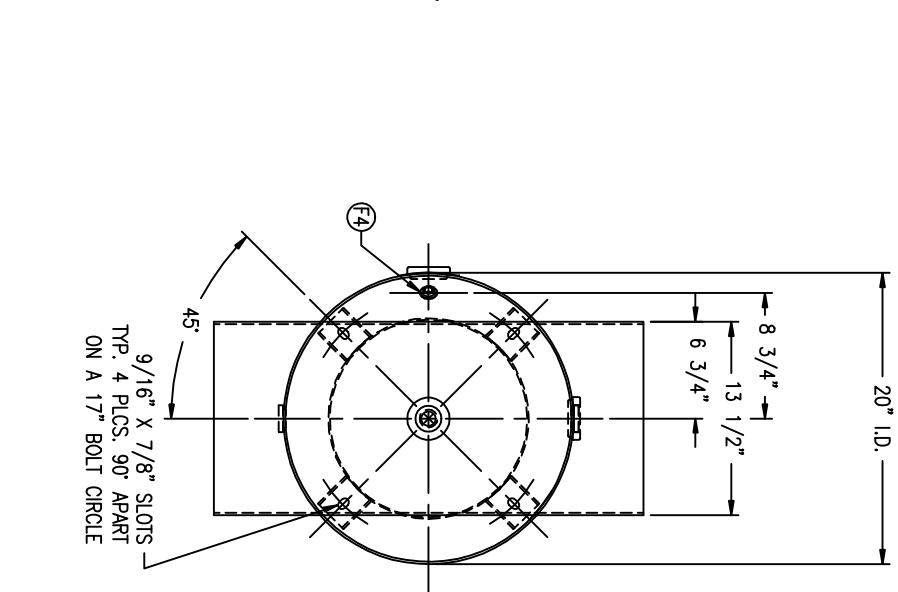
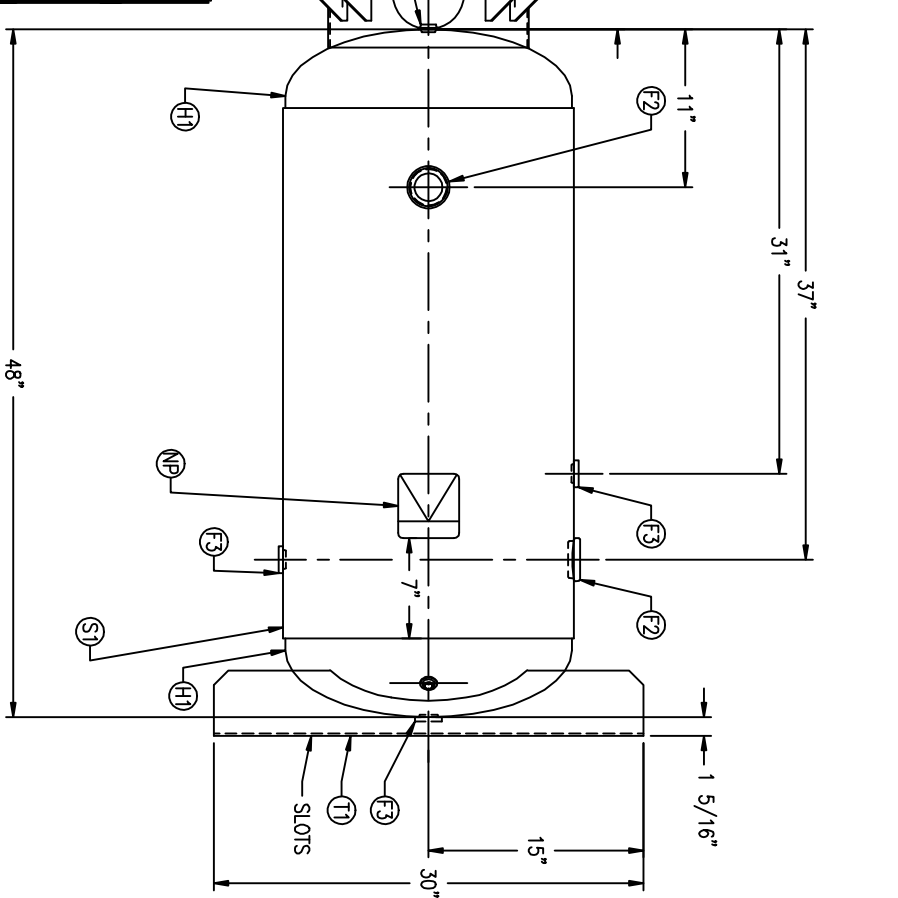


CODE/ADDENDA 2004/2006 APPROVED KM
 RELEASED FOR PRODUCTION
 Q.C. _____ DATE _____

FIND NO.	NPT SIZE
F1	1/2
F2	2
F3	3/4
F4	1/4



9/16" X 7/8" SLOTS
 TYP. 4 PLCS. 90° APART
 ON A 17" BOLT CIRCLE

SYMBOL	DATE	BY	REVISION

APP	XREF	REV

NOTES

48"

SPECIFICATIONS

I.D. 20 LGTH. 48
 MAMP 200 PSI @ 650 °F
 CRN E7399.2C W
 WELD DETAILS: M-1932
 STD. TOLERANCES (UNLESS OTHERWISE NOTED): M-2461



\\CORP2\DWG\302

VERTICAL AIR RECEIVER

DRAWN BY	DATE	SCALE: NONE
APP. BY	DATE	DRAWING NO. 302412