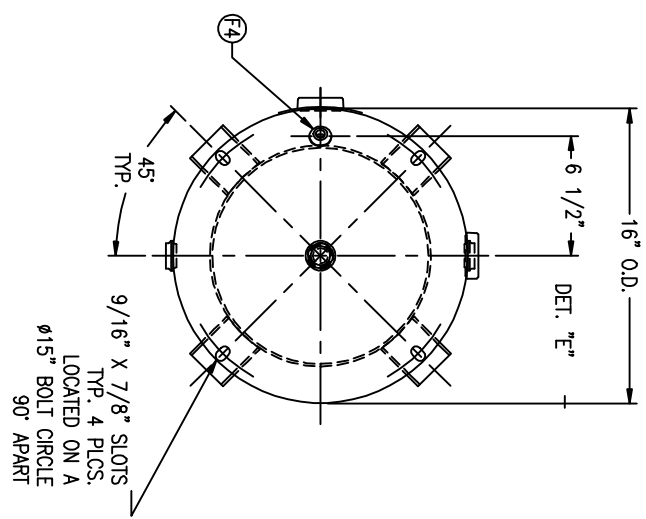
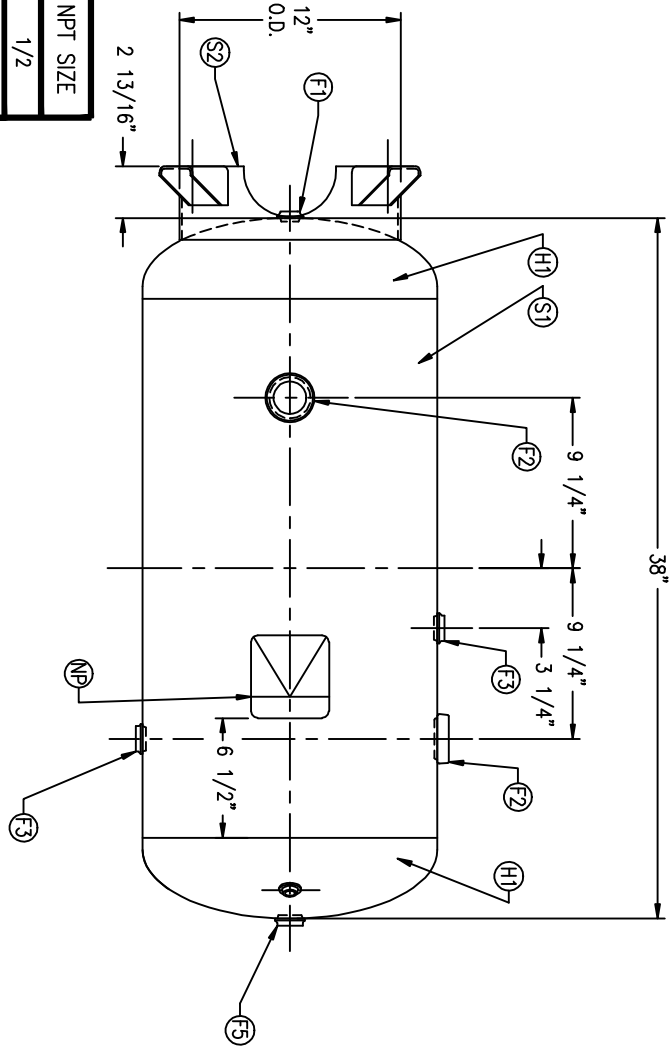


CODE/ADDENDA _____ APPROVED _____
 RELEASED FOR PRODUCTION _____
 Q.C. _____ DATE _____



FIND NO.	NPT SIZE
F1	1/2
F2	1 1/2
F3	3/4
F4	1/4
F5	3/4

S/M	DATE	BY	REVISION

APP

NOTES

SPECIFICATIONS

O.D. 16 LGTH. 38
 MAMP 300 PSI @ 650 °F

GAL 29.2 SA. 14.1
 WT. 117# CU.FT. 3.9

GRN H5007.1234567890
 WELD DETAILS: M-1932
 STD. TOLERANCES (UNLESS OTHERWISE NOTED): M-2461

CODE ASME UW-12(c)
 PER DATE OF DWG/LAST REV



COMP2\DWG\302

VERTICAL AIR RECEIVER

DRAWN BY	DATE	SCALE: NONE
APP. BY	DATE	DRAWING NO. 302407