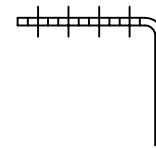
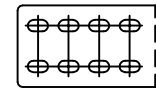
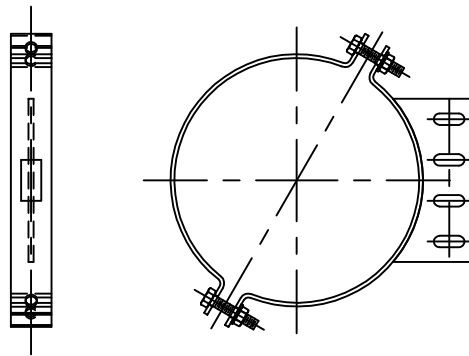


LP STRAP & STRAP-STEP BRACKET ASSEMBLIES (PART NUMBERS ARE FOR A PAIR)

STRAP BRACKET ASSEMBLIES, SMALL DIAMETER:

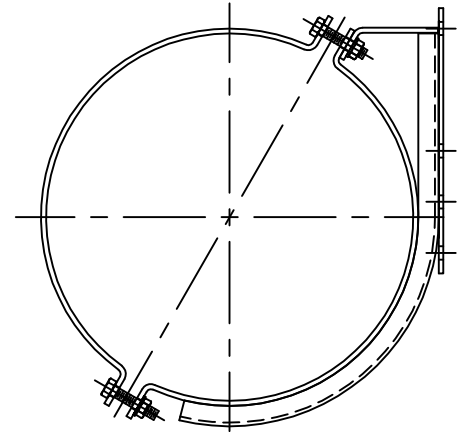
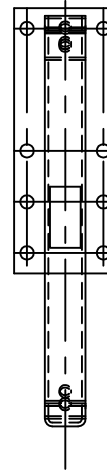
- 10" DIA.: 23964 (GRAY)
23964.1 (WHITE)
- 12" DIA.: 23504 (GRAY)
23504.1 (WHITE)



TWO A76661 L-BRACKETS
& HARDWARE ARE INCLUDED
WITH EACH PAIR

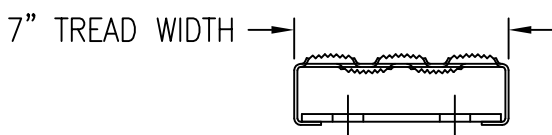
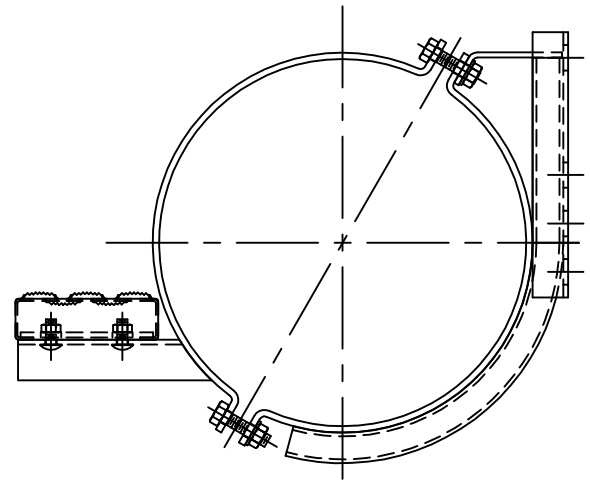
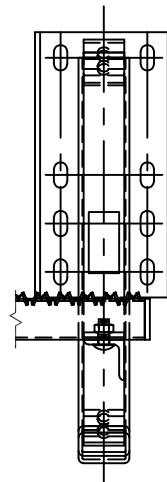
STRAP BRACKET ASSEMBLIES, LARGE DIAMETER:

- 16" DIA.: 2518 (GRAY)
2518.1 (WHITE)
25181 HEAVY DUTY (GRAY)
- 18" DIA.: 2506 (GRAY)
2506.1 (WHITE)
25291 HEAVY DUTY (GRAY)
25291.1 HEAVY DUTY (WHITE)
- 20" DIA.: 2507 (GRAY)
2507.1 (WHITE)
25071 HEAVY DUTY (GRAY)
25071.1 HEAVY DUTY (WHITE)
- 24" DIA.: 2509 (GRAY)
2509.1 (WHITE)
25091 HEAVY DUTY (GRAY)
25091.1 HEAVY DUTY (WHITE)



**STRAP AND STEP ASSEMBLIES,
HEAVY DUTY, LARGE DIAMETER:**

- 18" DIA.: 25027 (GRAY)
25027.1 (WHITE)
- 20" DIA.: 25028 (GRAY)
25028.1 (WHITE)
- 24" DIA.: 25029 (GRAY)
25029.1 (WHITE)



RIGHT STRAP ASY. AND
PART OF STEP SHOWN