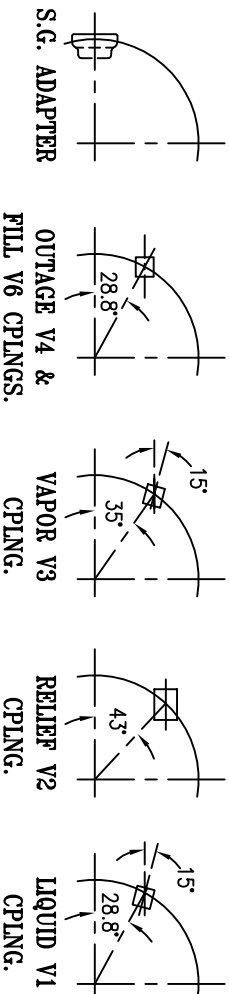
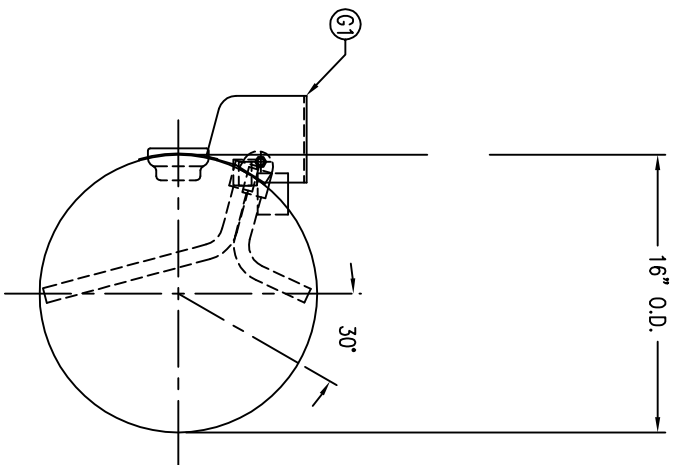
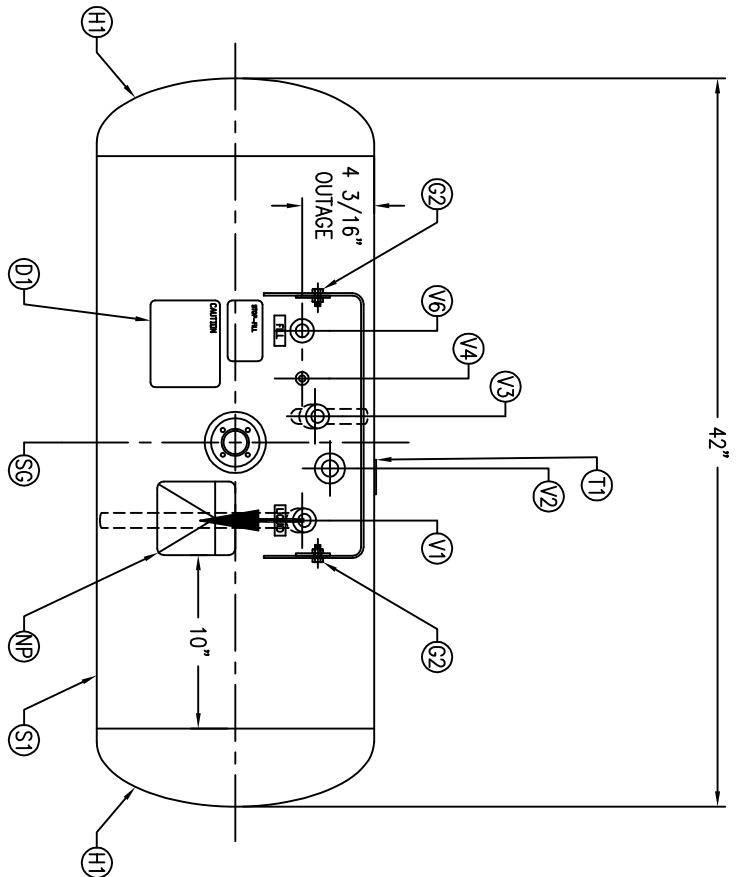


CODE/ADDENDA 2013 APPROVED DP
 RELEASED FOR PRODUCTION
 Q.C. _____ DATE _____



SYM	DATE	BY	REVISION	APP	NOTES
B		EGB			
C		JR		EGB	
D		DP		DP	
E		DW		DW	

SPECIFICATIONS	
O.D. 16	LGTH. 42
MAMP 312	PSI @ 650 °F
RT- MDMT-20 °F @ 312 PSI	PSI
EXMT XRAY	TEST W
CRN MA582.5C	
WELD DETAILS: M-1932	SH. HD.
STD. TOLERANCES (UNLESS OTHERWISE NOTED): M-2461	GAL. 32.9 S.A. 15.5
	WT. 106# CU.FT. 4.4
	CORR ALW SH HD
	CODE: ASME SEC. VIII DIV. 1, LATEST EDITION & ADDENDA

MOTORFUEL TANK

microtrn.appt\dwg\2000\

MANCHESTER

DRAWN BY RM	DATE	SCALE: NONE
APP. BY KL	DATE	DRAWING NO. 23467