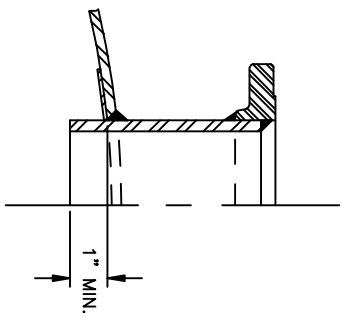
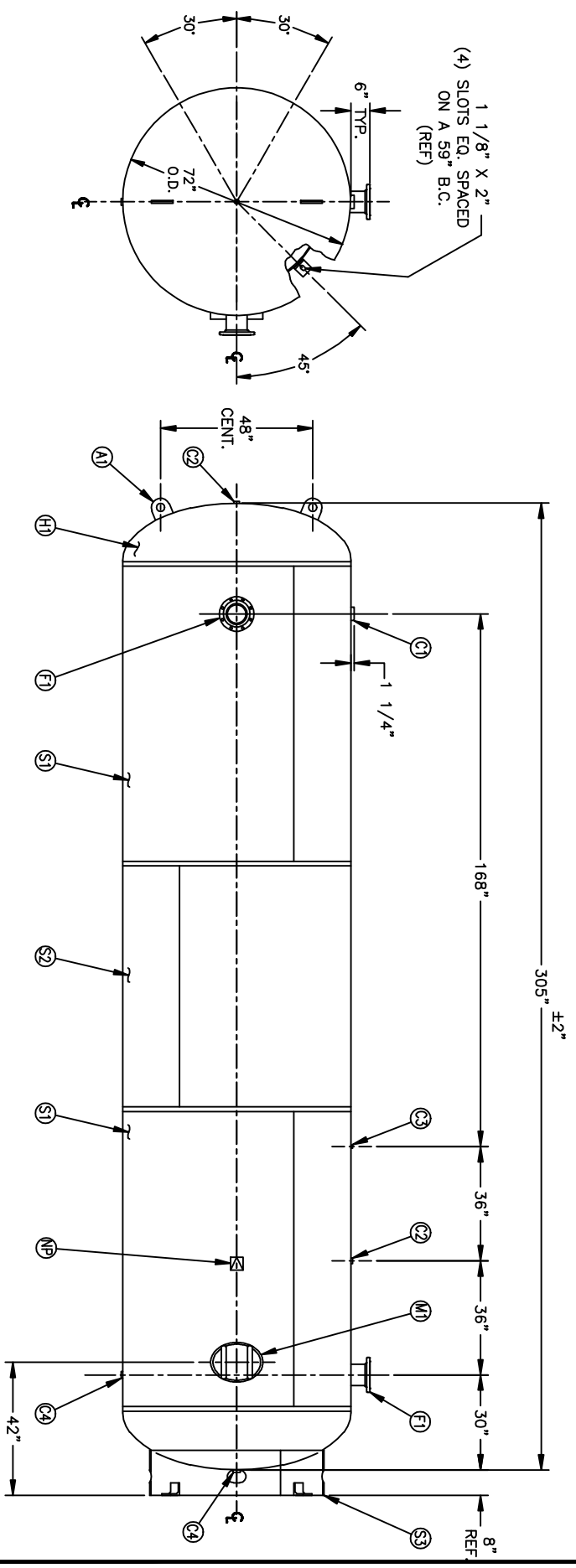


MANWAY DETAIL




NOZZLE DETAIL

NO. QTY.	DESCRIPTION	SPEC	SUB-DWG.
C1 1	3"-NPT 3000# FULL COUPLING	SA-105	
C2 2	1"-NPT 3000# FULL COUPLING	SA-105	
C3 1	1/4"-NPT 3000# FULL COUPLING	SA-105	
C4 2	1 1/4"-NPT 3000# HALF COUPLING	SA-105	
F1 2	6" 150# ANSL RF-SO. FLANGE	SA-105	
F1 2	6" SCH.80 PIPE X 7 3/4" LONG	SA-106-B	
F1 2	.134 X 8 5/8" O.D. X 6 5/8" I.D. BACKING RING	C1008	
M1 1	12" X 16" X 3/4" X 4" 300# MANWAY	SA-106-C	
A1 2	1" X 6" X 6" STANDARD LIFT LUG		
S3 1	STANDARD 8" SKIRT & CLIP ASSY. FOR 72" DIA. TANK		
NP 1	ASME DATA PLATE	C1010	



SYN DATE	BY	REVISION	APP	REF	REV	NOTES
						BREAK ALL EXPOSED INTERIOR NOZZLE EDGES ALL FLANGE BOLT HOLES TO STRADDLE VESSEL CENTRELINES

SPECIFICATIONS	
OD 72 LGTH 305	CALL 5000
WAMP 200 P9 @ 400 °F	WT. 11,200#
CRN N/A	CODE ASME SECTION VIII, DIV.1
WELD DETAILS: M-1932	PER DATE OF DWG/LAST REV
STD. TOLERANCES (UNLESS OTHERWISE NOTED): M-2461	



**72" X 305" VERTICAL
STANDARD AIR RECEIVER**

SCALE: NONE
DRAWING NO. 305995