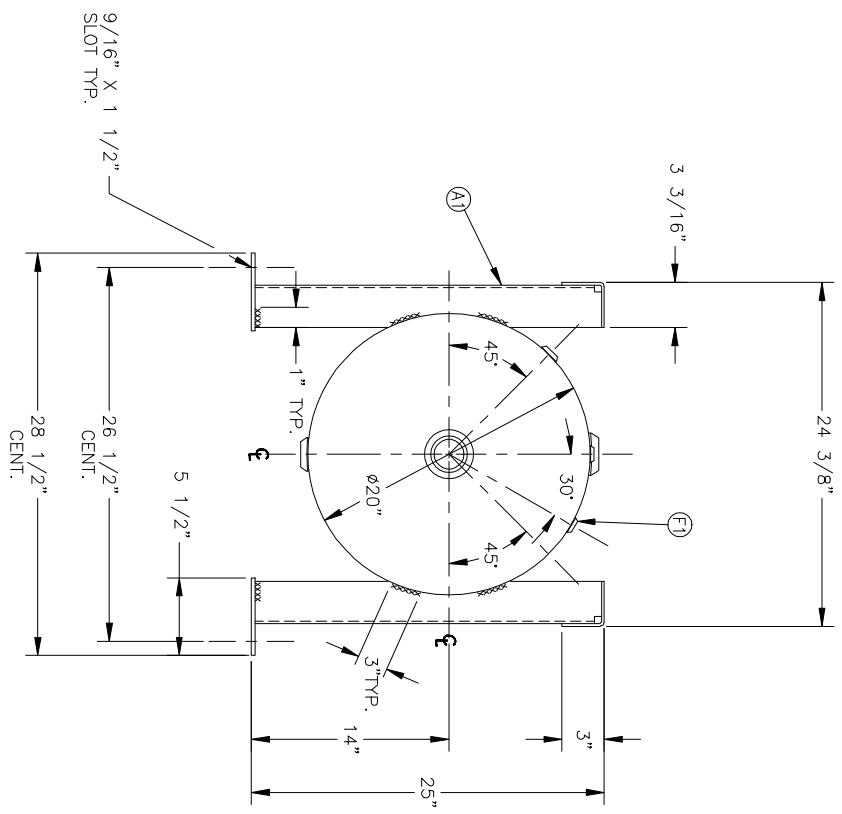
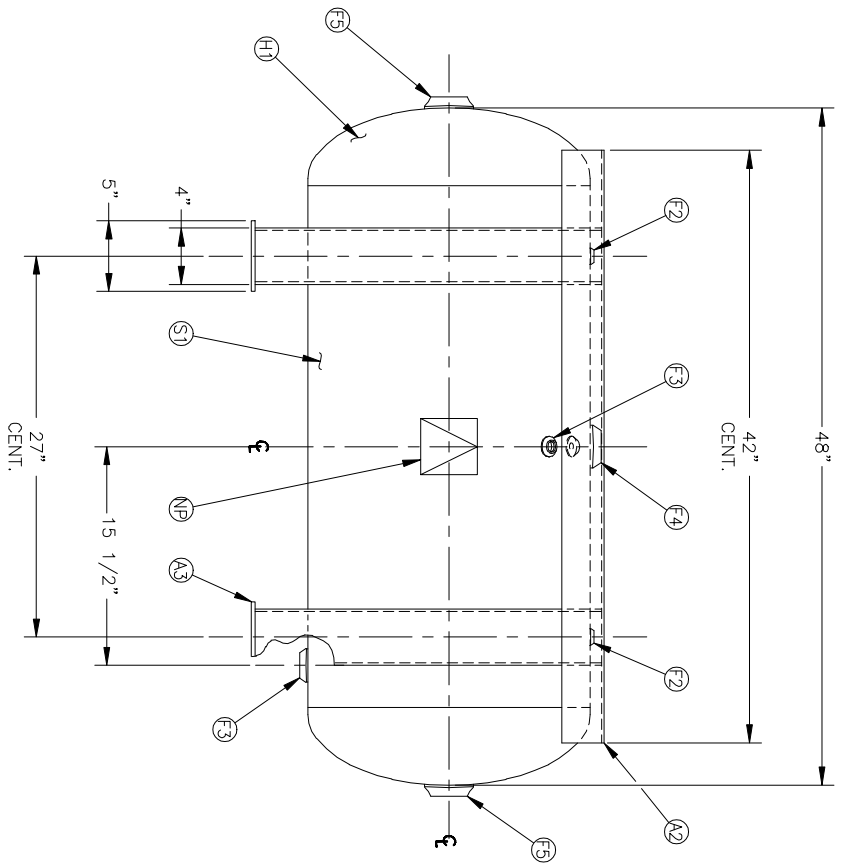


DETAIL OF FOOT

NO. QTY.	DESCRIPTION	SPEC	SUB-DWG.
S1 1			
H1 2	1/8" NPT 1500# FLAT FLG.		
F1 1	1/2" NPT 1500# FLAT FLG.		
F2 2	3/4" NPT 1500# RAD. FLG.		
F3 2	3/4" NPT 1500# RAD. FLG.		
F4 1	1 1/2" NPT 1500# RAD. FLG.		
F5 2	2" NPT 1500# FLAT FLG.		
A1 4	3/16" X 9 3/8" X 24 9/16" LEG		
A2 2	3/16" X 5 7/8" X 42" RAILS		
A3 4	1/4" X 5" X 5 1/2" PAD		
NP 1	ASME DATA PLATE		



SYM	DATE	BY	REVISION	App	NOTES

SPECIFICATIONS	
DD 20 LGTH 48	GAL 60
MAWP 200 PSI @ 450 °F	WT. 260#
CRN F0516.1C	CORR ALW — SH — HD
WELD DETAILS. M-1932	CODE ASME SECT.IV, DIV.1
SID. TOLERANCES (UNLESS OTHERWISE NOTED): M-2461	PER DATE OF DWG/LAST REV

MANCHESTER TANK

20" X 48" STD. HORIZ. FRAME-MOUNT REC.

SCALE: NONE	DRAWING NO. 305439
SCALE: NONE	DRAWING NO. 305439