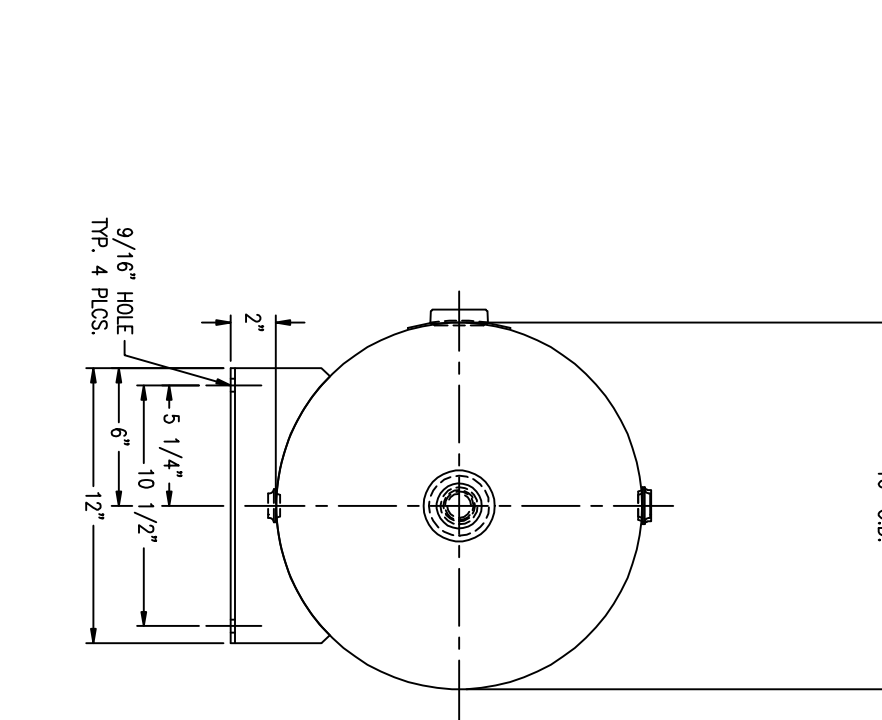
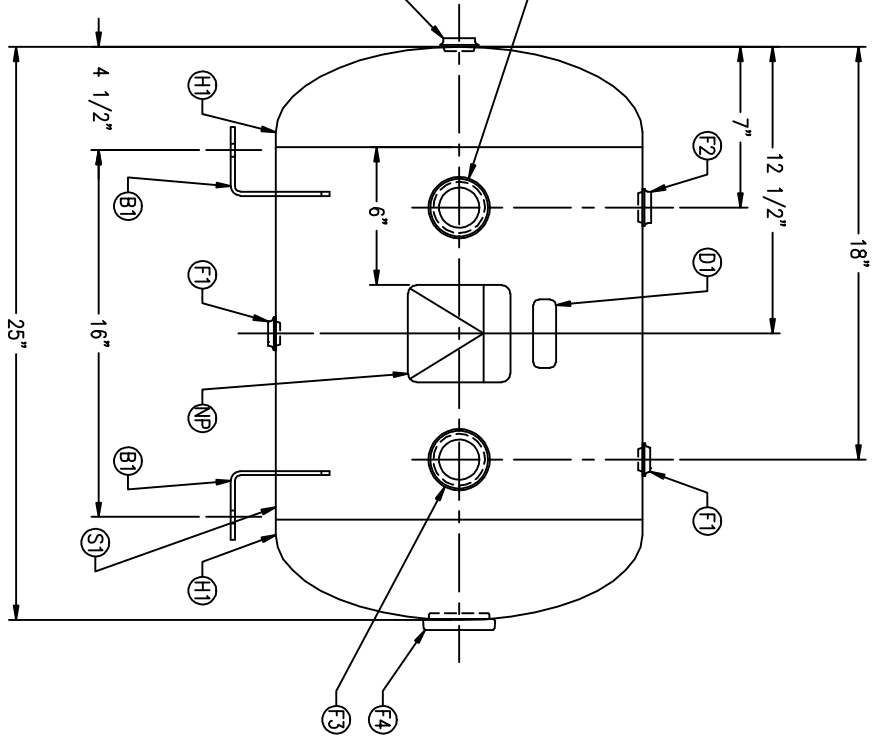


CODE/ADDENDA 2004/2006 APPROVED KM
 RELEASED FOR PRODUCTION
 Q.C. _____ DATE _____

FIND NO.	NPT SIZE
F1	1/2
F2	3/4
F3	1 1/2
F4	2



NOTES
 1. ALL PLUGS TO BE LOOSEMED TO HAND TIGHT PLUS ONE HALF TURN PRIOR TO SHIPMENT.

SPECIFICATIONS

O.D. 16	LGTH. 25
MAMP 200	PSI @ 650 F
CRN F2151.1C	W
WELD DETAILS: M-1932	
STD. TOLERANCES (UNLESS OTHERWISE NOTED): M-2461	

QAL. 18.7 S.A. 9.5
 WT. 59# CULFT. 2.5
 CODE: ASME SEC. VIII DIV. I,
 LATEST EDITION & ADDENDA



MANCHESTER PIPE WORKS
 \CORP2\DWG 304

HORIZONTAL AIR RECEIVER

DRAWN BY	DATE	SCALE: NONE
APP. BY	DATE	DRAWING NO. 304942

SYM	DATE	BY	REVISION

APP	XREF	REV
	C1726	