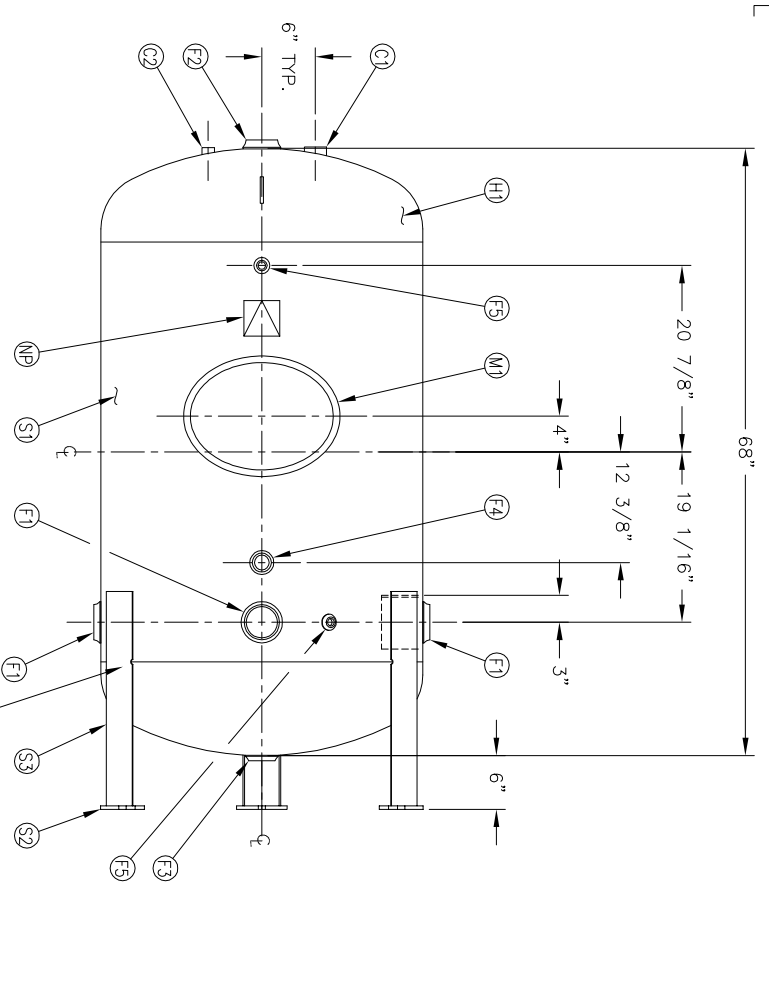
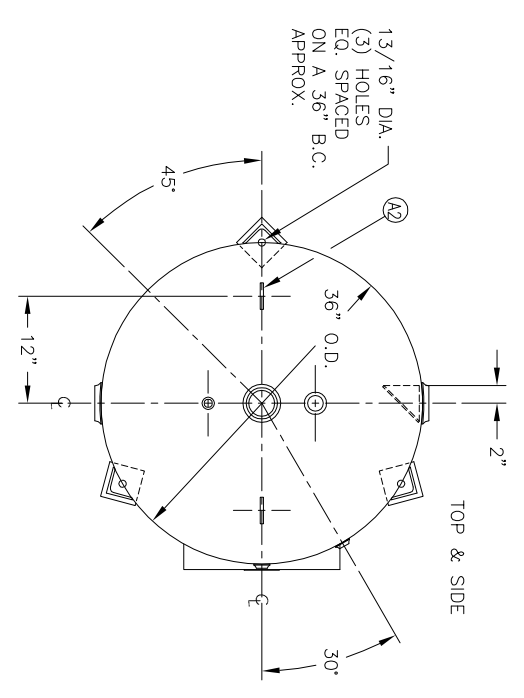


LEG/PAD DETAIL

MANWAY DETAIL

NO.	QTY.	DESCRIPTION	SPEC	SUB-DWG.
M1	1	12" X 16" X 3/4" X 4" 300# MANWAY	SA-106-C	
F1	3	3"-NPT 1500# RADIAL FLANGE	SA-181-70	
F2	1	3"-NPT 1500# FLAT FLANGE	SA-181-70	
F3	1	2"-NPT 1500# FLAT FLANGE	SA-181-70	
C1	1	1 1/2"-NPT 3000# FULL COUPLING	SA-105	
F4	1	1 1/4"-NPT 1500# RADIAL FLANGE	SA-181-70	
C2	1	3/4"-NPT 3000# FULL COUPLING	SA-105	
F5	2	1/2"-NPT 1500# FLAT FLANGE	SA-181-70	
A1	1	BAFFLE		A84451
A2	2	3/8" X 3" X 3" STANDARD LIFT LUG		
S2	3	3/8" X 4" X 4" PAD	SA-516-70	A84509
S3	3	1/4" X 3" X 3" ANGLE LEG X 24" LONG	SA-36	
NP	1	ASME DATA PLATE	C1010	



SWM	DATE	BY	REVISION	APP	XREF	REV	NOTES	SPECIFICATIONS	DRAWN BY	DATE	SCALE	DRAWING NO.
							INTERIOR FINISH NOTE 1. 1/8" RADIUS ALL EDGES. 2. GRIND ALL INTERNAL WELDS SMOOTH. 3. SANDBLAST TO NEAR WHITE FINISH. 4. ALL VOIDS AND GAPS TO BE CAULKED 5. COAT WITH DEVCO 233H EPOXY.	O.D. 36 LGH. 68 MAMP 150 PSI @ 250 F QAL 268 SA PSI WT. 810# CUT.			NONE	302515



36" X 68" VERT.

ALL OPEN TAPS TO HAVE PLASTIC THREAD PROTECTORS