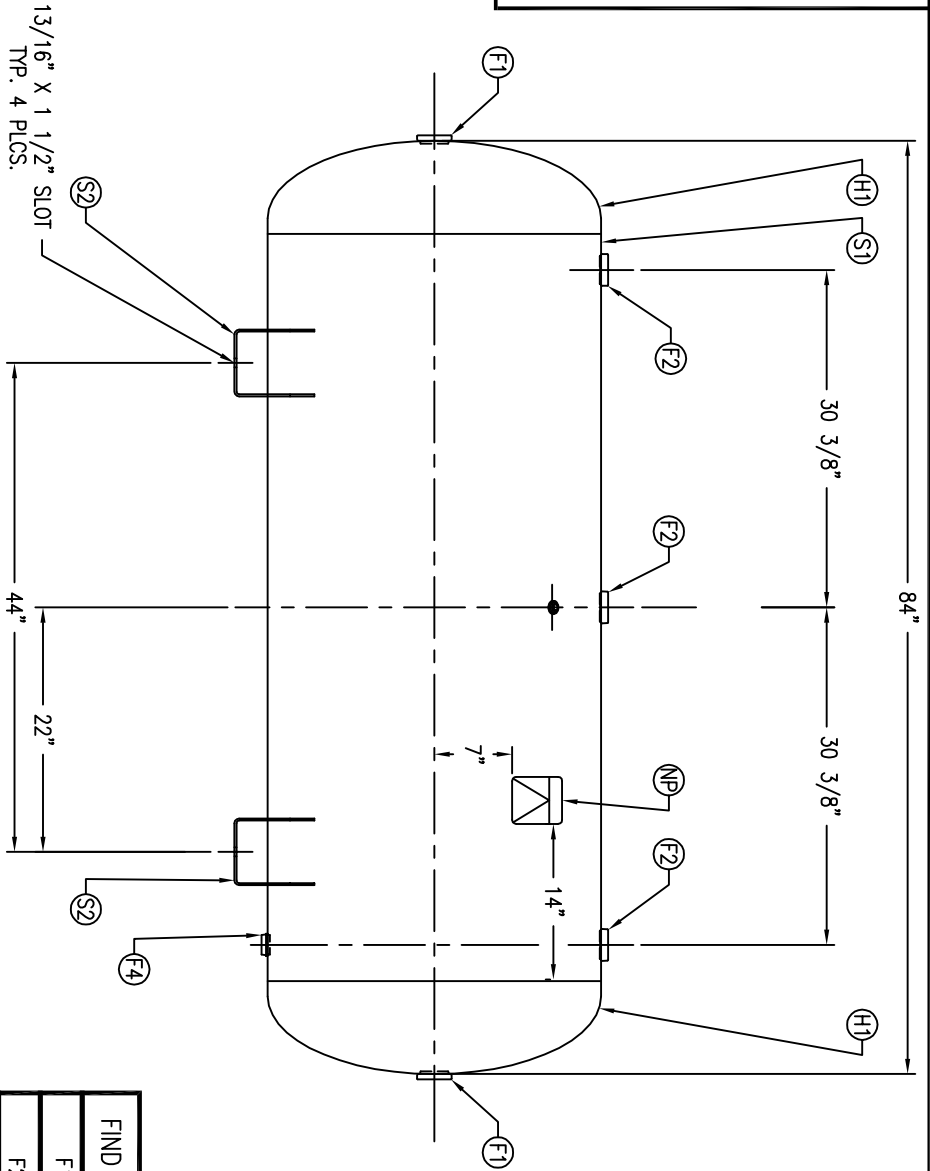
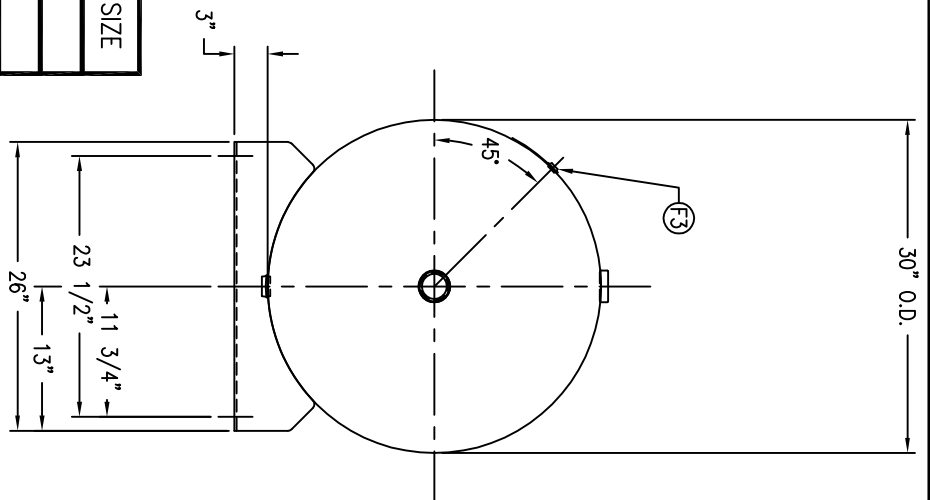


CODE/ADDENDA 2004/A06 APPROVED JR  
 RELEASED FOR PRODUCTION  
 Q.C. \_\_\_\_\_ DATE \_\_\_\_\_



FIND NO.	NPT SIZE
F1	2
F2	2
F3	1/4
F4	1



SYMBOL	DATE	BY	REVISION

APP	XREF	REV.

NOTES

SPECIFICATIONS

C691	B
C642	A

O.D. 30 LGTH. 84  
 MAMP 200 PSI @ 650 °F

GAL. 240 S.A. 57.8  
 WT. 618# CU.FT. 31.3

CRN F0628.1C  
 WELD DETAILS: M-1932  
 STD. TOLERANCES (UNLESS OTHERWISE NOTED): M-2461

CODE: ASME SEC. VIII DIV. I,  
 LATEST EDITION & ADDENDA

DRAWN BY \_\_\_\_\_ DATE \_\_\_\_\_  
 APP. BY \_\_\_\_\_ DATE \_\_\_\_\_

SCALE: NONE  
 DRAWING NO. 302484

HORIZONTAL AIR RECEIVER



H:\3000\