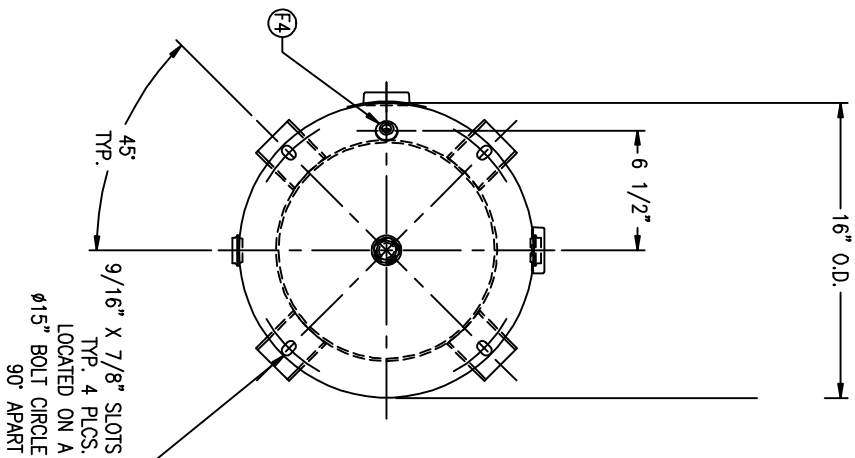
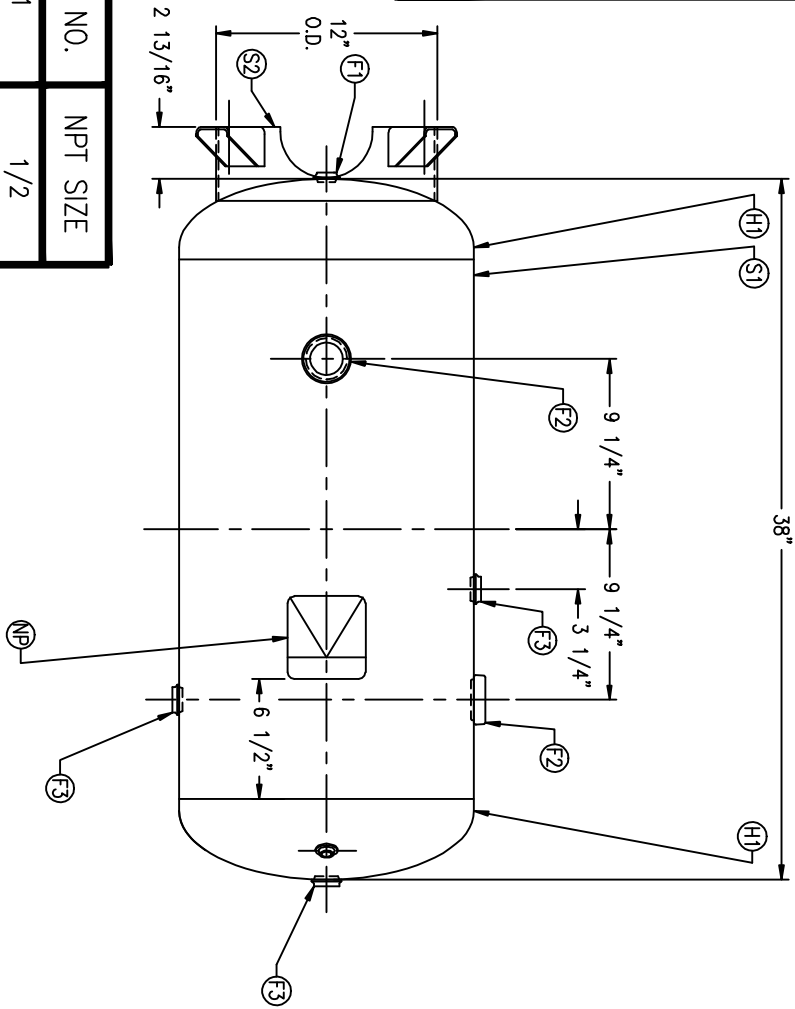


CODE/ADDENDA _____ APPROVED
 RELEASED FOR PRODUCTION _____
 Q.C. _____ DATE _____



FIND NO.	NPT SIZE
F1	1/2
F2	1 1/2
F3	3/4
F4	1/4

SYMBOL	DATE	BY	REVISION

APP	XREF	REV

NOTES

SPECIFICATIONS
 O.D. 16 LGTH. 38
 MAWP 200 PSI @ 650 °F
 CRN F2151.1C
 WELD DETAILS: M-1932
 STD. TOLERANCES (UNLESS OTHERWISE NOTED): M-2461

CODE: ASME SEC. VIII DIV. 1,
 LATEST EDITION & ADDENDA
 GAL 30 SA.14.1
 WT. 85# CU.FT. 4.0



DRW2, DWG 302

VERTICAL AIR RECEIVER
 DRAWN BY _____ DATE _____ SCALE: NONE
 APP. BY _____ DATE _____ DRAWING NO. 302406