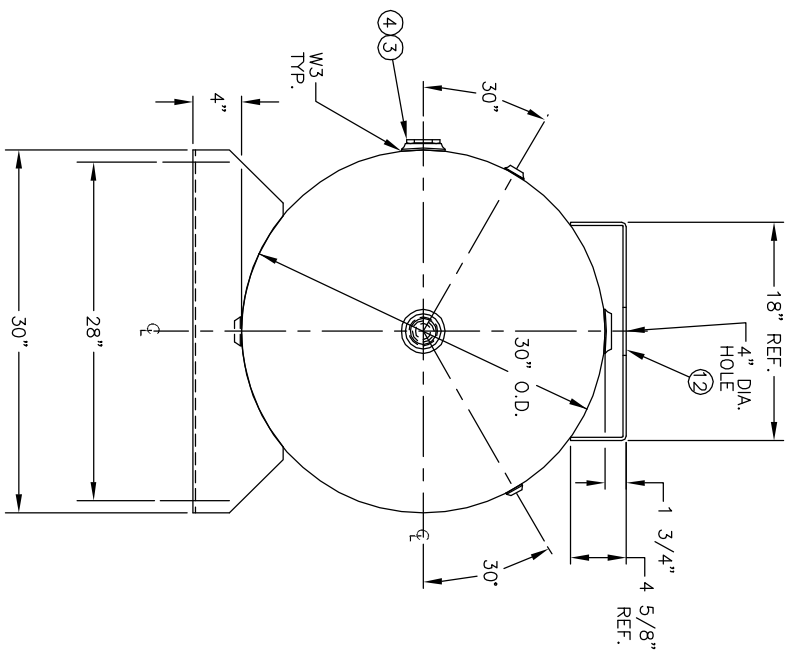
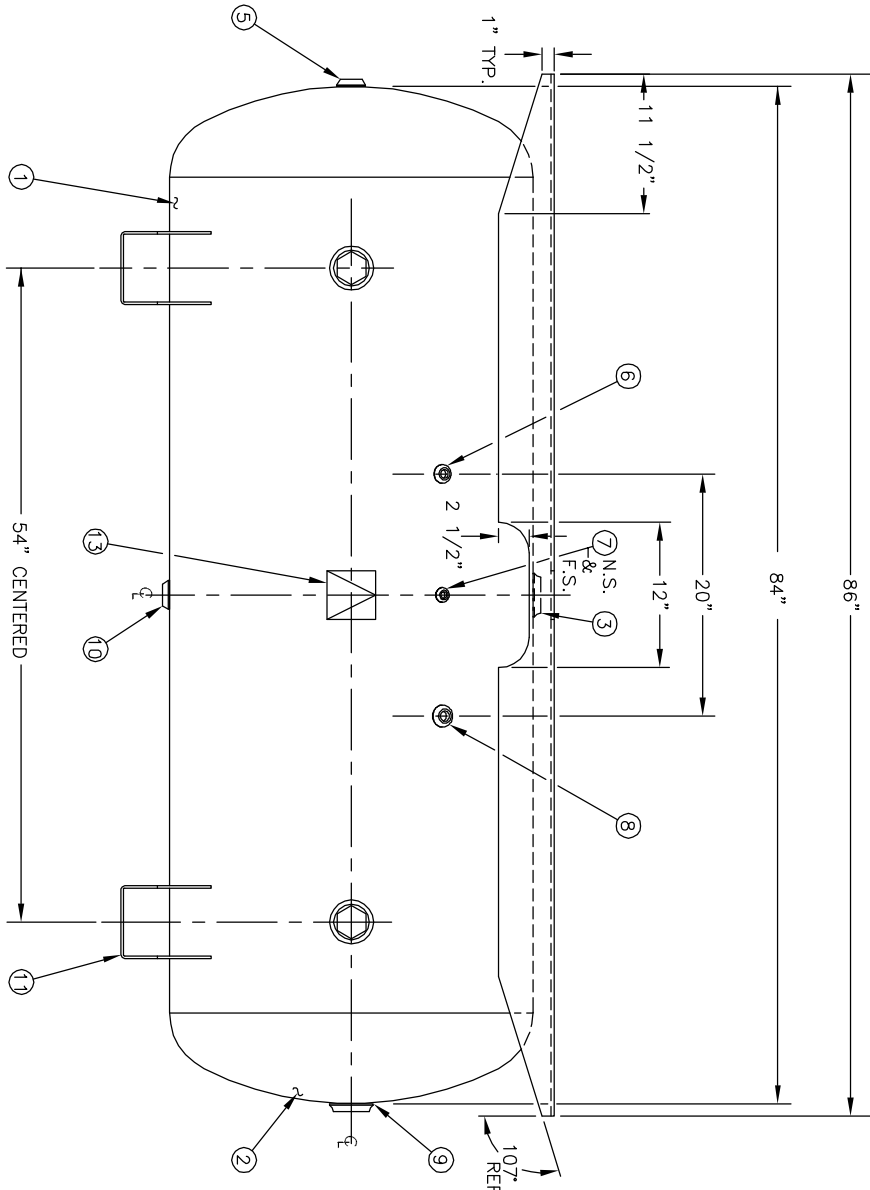


CODE/ADDENDA APPROVED  
 RELEASED FOR PRODUCTION  
 Q.C. \_\_\_\_\_ DATE \_\_\_\_\_



NO. QTY	DESCRIPTION	SPEC	SUB-DWG.
1 1		SA-414-G	
2 2		SA-414-G	
3 3	2"-NPT 1500# RADIAL FLANGE	SA-181-70	
4 2	2"-NPS PLUG	SA-181-70	
5 1	1"-NPT 1500# FLAT FLANGE	SA-181-70	
6 1	3/8"-NPT 1500# FLAT FLANGE	SA-181-70	
7 2	1/4"-NPT 1500# FLAT FLANGE	SA-181-70	
8 1	1/2"-NPT 1500# FLAT FLANGE	SA-181-70	
9 1	2"-NPT 1500# FLAT FLANGE	SA-181-70	
10 1	1"-NPT 1500# RADIAL FLANGE	SA-181-70	
11 2	STANDARD SADDLE FOR 30" DIA.		A84452
12 1	1/4" X 26 1/4" X 86" PLATFORM	C1010	
13 1	ASME DATA PLATE	C1010	

REVISION

NOTES

SPECIFICATIONS

MANCHESTER TANK

3	JR	APP	JR	DATE	DATE	SCALE: NONE	DRAWING NO. 303181
O.D. 30 LGH. 84		MAMP 200 PSI @ 650 F		CAL 240 SA. 58.8		STD. HORIZ. W/EXTENDED PLATFORM	
RT - MDMT -20 F @ 200 PSI		EAMT UG20(f) TEST PSI		CORR ALW SH HD		240 GALLON	
CRN F0628.1C		WELD DETAILS: M-1932		PER DATE OF DWG/LAST REV		Q. 3000	
STD. TOLERANCES (UNLESS OTHERWISE NOTED): M-2461		DRAWN BY JR		DATE		SCALE: NONE	
		APP. BY AVA		DATE		DRAWING NO. 303181	