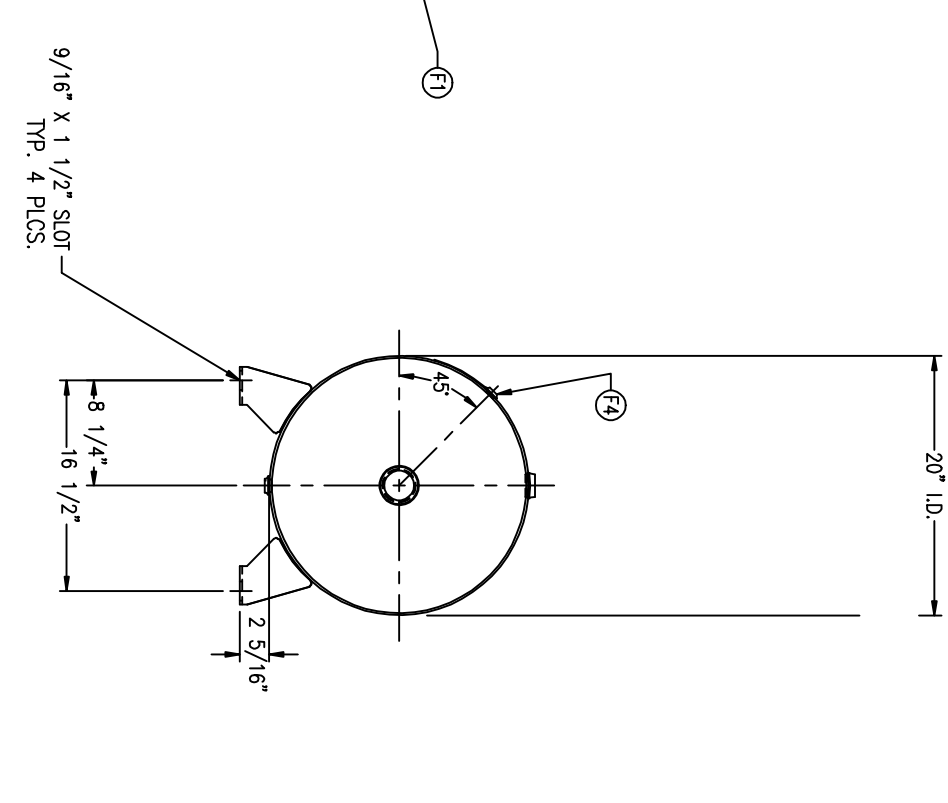
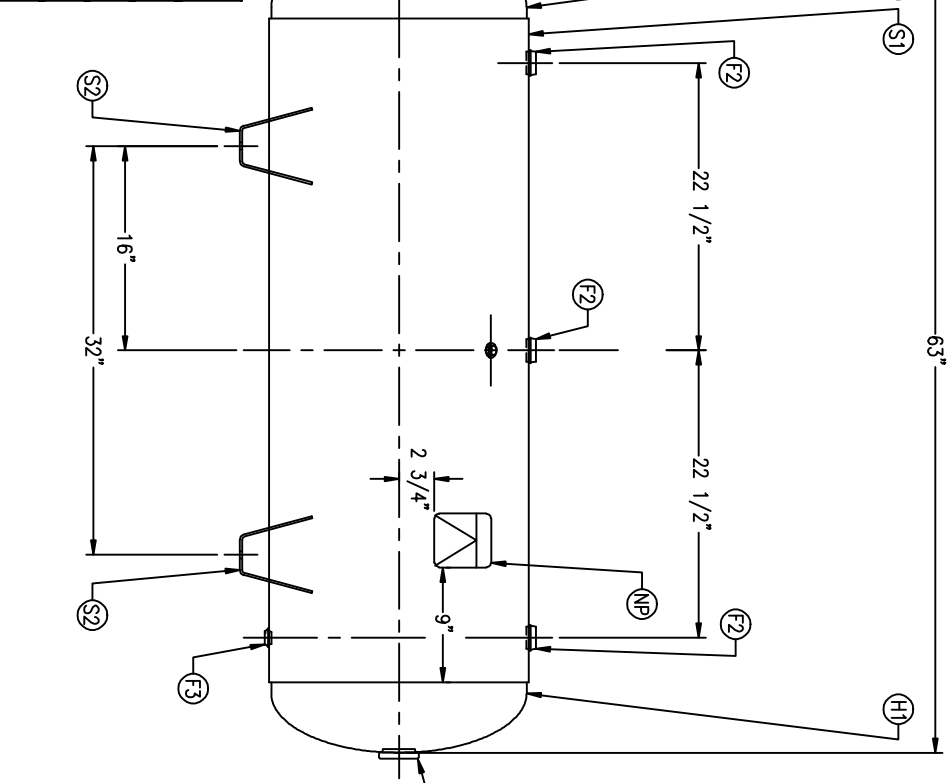


CODE/ADDENDA 2004/2006 APPROVED KM
 RELEASED FOR PRODUCTION
 Q.C. _____ DATE _____

FIND NO.	NPT SIZE
F1	2
F2	1
F3	1/2
F4	1/4



9/16" X 1 1/2" SLOT
 TYP. 4 PLCS.

SYM	DATE	BY	REVISION

APP	XREF	REV
CS80	C	
CS59	B	

NOTES

SPECIFICATIONS

I.D. 20 LGTH. 63
 MAWP 200 PSI @ 650 F

GAL. 80 S.A. 29.2
 WT. 214# CU.FT. 10.7

CODE: ASME SEC. VIII DIV. 1
 LATEST EDITION & ADDENDA

HORIZONTAL AIR RECEIVER



CRN E7399.2C
 WELD DETAILS: M-1932
 STD. TOLERANCES (UNLESS OTHERWISE NOTED): M-2461

DATE: _____
 DRAWN BY: _____

DATE: _____
 APP. BY: _____

SCALE: NONE
 DRAWING NO. 302476