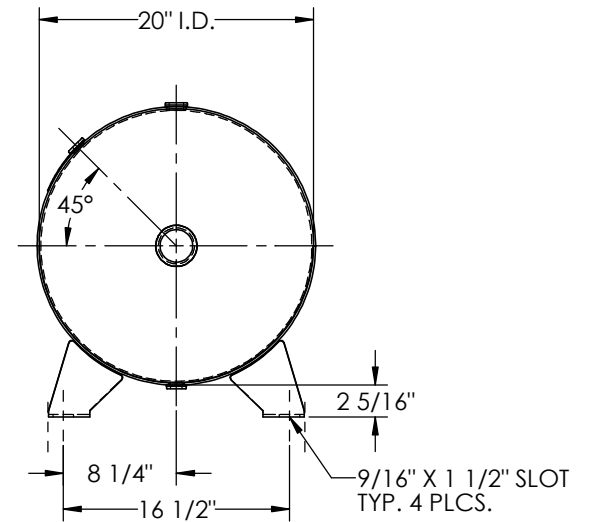
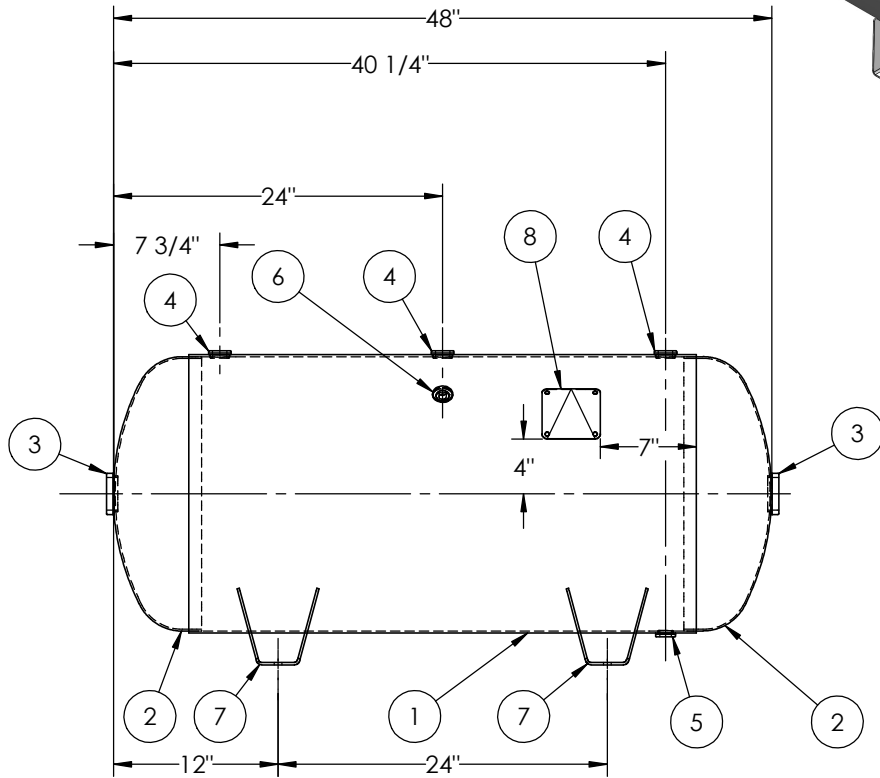


ITEM NO.	PART NO.	DESCRIPTION	QTY.
1	302473-SL	SHELL LAYOUT FOR 20" TANK	1
2	H32020	.124 MIN. 20" O.D. 2:1 ELLIP. PLAIN HEAD	2
3	F30316	2"-NPT FLAT FLANGE O-RING	2
4	F31840	3/4"-NPT FLAT FLANGE	3
5	F10250	1/2"-NPT FLAT FLANGE	1
6	F31826	1/4"-NPT FLAT FLANGE	1
7	A55178	STD. WING FOOT FOR 20" DIA.	4
8	A20910	ASME DATA PLATE	1

#3 - PLASTIC PUSH IN PLUG
 #4 - PLASTIC PUSH IN PLUG
 #5 - PLASTIC PUSH IN PLUG
 #6 - PLASTIC PUSH IN PLUG



NOTES:

RELEASED FOR PRODUCTION
 Q.C. _____ DATE _____



SPECIFICATIONS

I.D. 20 LGTH. 48 MAWP 200 PSI @ 400°F
 WT. 163 LBS.
 S.A. 22.6 SQ.FT.
 GAL. 60 CU.FT.8 CRN: E7399.2C
 CODE: ASME Section VIII, Div.1, LATEST EDITION EXMT UG-20(f) CORR ALW 0 SH 0 HD
 STD. TOLERANCES: M-2461 (UNLESS OTHERWISE NOTED) WELD DETAILS: M-1932

REVISIONS

REV.	BY	DESCRIPTION	DATE	APP.
A	EGB			EGB
B	EGB			EGB
C	NRS			DW
D	MK			MK
E	EASI			MK



HORIZONTAL AIR RECEIVER

DRAWN BY:	EGB	DATE:	
APPR. BY:	EGB	DATE:	
SCALE:	NONE	DRWG NO.	302473