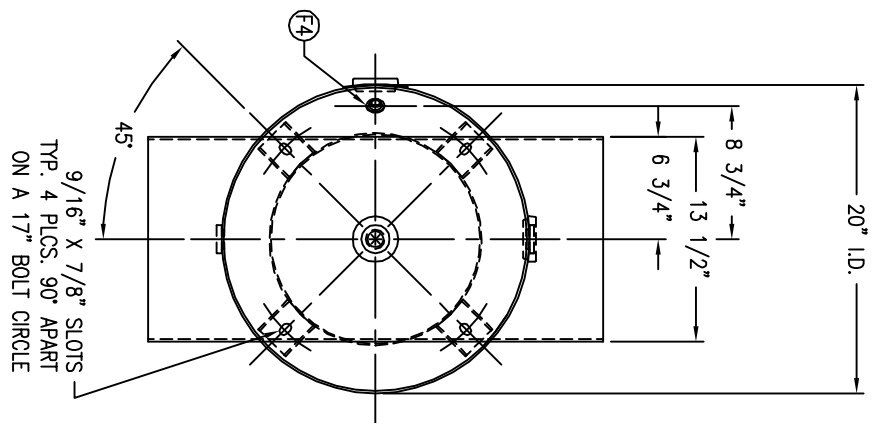
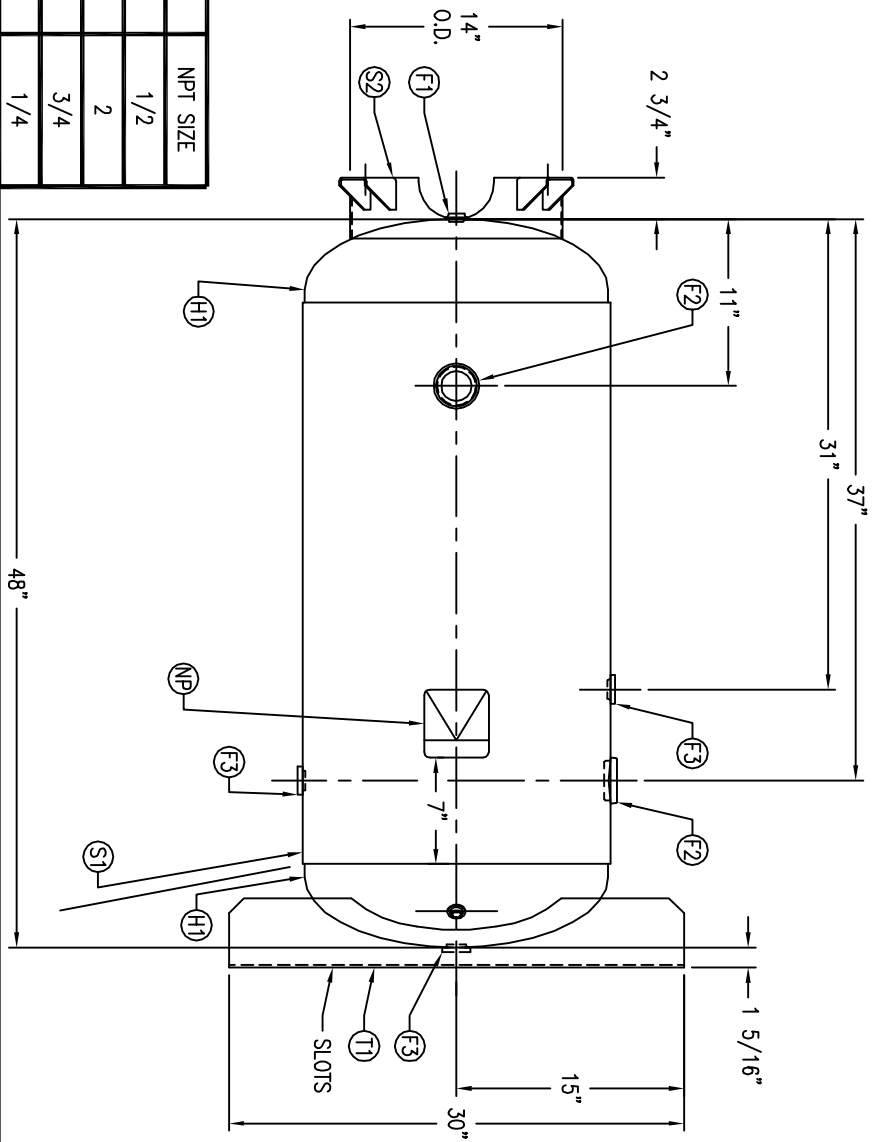


CODE/ADDENDA 2010/2011A APPROVED DP
 RELEASED FOR PRODUCTION
 Q.C. _____ DATE _____



FIND NO.	NPT SIZE
F1	1/2
F2	2
F3	3/4
F4	1/4

SYM	DATE	BY	REVISION
A		EGB	

APP	XREF	REV.
EGB	C1109	B

NOTES

SPECIFICATIONS

I.D. 20 LGTH. 48 SH. HD.
 MAMP 200 PSI @ 650 F
 RT- MDMT-20 T@ 200 PSI
 EXMT UG20(f) TEST PSI
 XRAY W
 CRN E7399.2C
 WELD DETAILS: M-1932
 STD. TOLERANCES (UNLESS OTHERWISE NOTED): M-2461

MANCHESTER
metfrdn.apss\DWG\302

VERTICAL AIR RECEIVER

DRAWN BY EGB	DATE	SCALE: NONE
APP. BY EGB	DATE	DRAWING NO. 302412