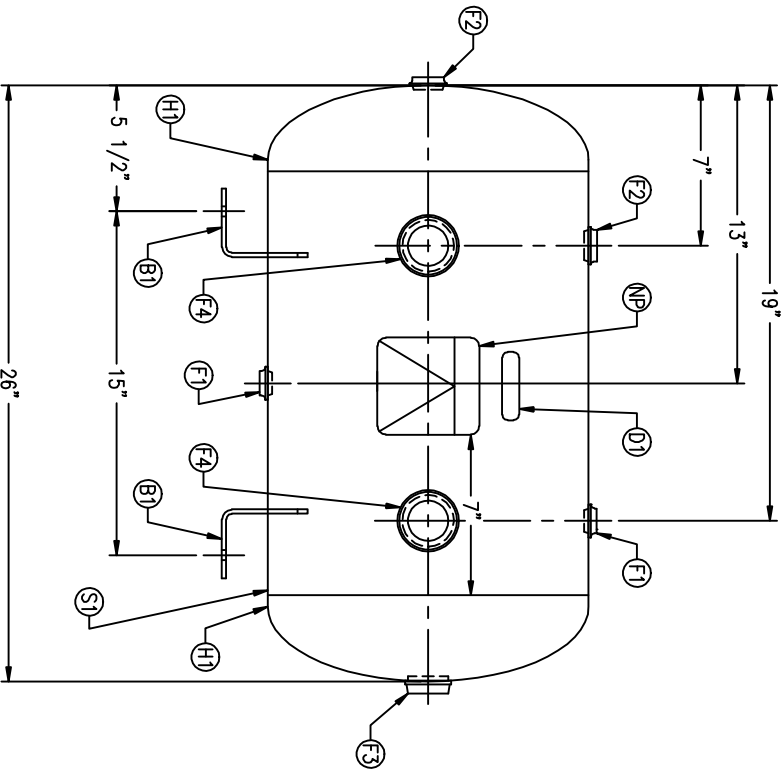


CODE/ADDENDA 2004/2006 APPROVED KM  
 RELEASED FOR PRODUCTION  
 Q.C. \_\_\_\_\_ DATE \_\_\_\_\_



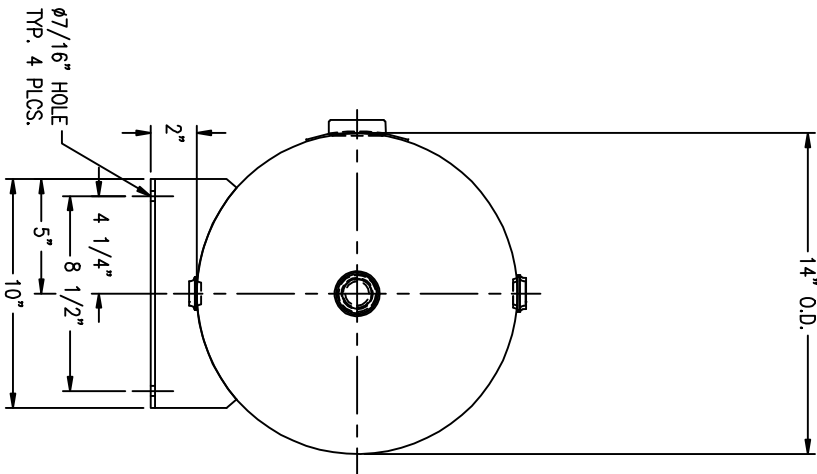
NOTES  
 1. ALL PLUGS TO BE LOOSENED TO HAND TIGHT PLUS A QUARTER TURN WITH A WRENCH PRIOR TO SHIPMENT.

FIND NO.	NPT SIZE
F1	1/2
F2	3/4
F3	1
F4	1 1/2

SPECIFICATIONS

O.D. 14 LGTH. 26  
 MAMP 200 PSI @ 650 F  
 CRN H5605.5123467890  
 WELD DETAILS: M-1932  
 STD. TOLERANCES (UNLESS OTHERWISE NOTED): M-2461

QAL. 15.2 S.A. 8.6  
 WT. 51# CULFT. 2.03  
 CODE: ASME SEC. VIII DIV. 1,  
 LATEST EDITION & ADDENDA



\\CORP2\DWG\304

HORIZONTAL AIR RECEIVER

DRAWN BY \_\_\_\_\_ DATE \_\_\_\_\_ SCALE: NONE  
 APP. BY \_\_\_\_\_ DATE \_\_\_\_\_ DRAWING NO. 304940

REVISION

APP XREF REV

NOTES

SPECIFICATIONS

DATE \_\_\_\_\_ SCALE: NONE  
 DRAWING NO. 304940

304940