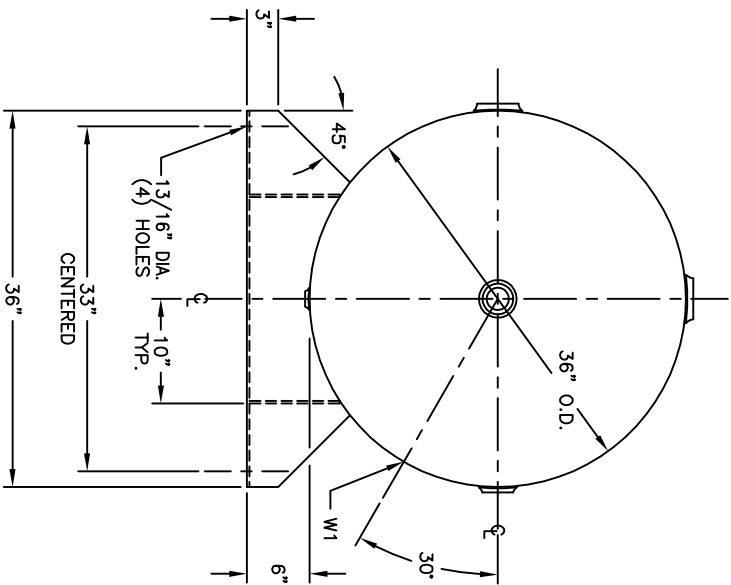
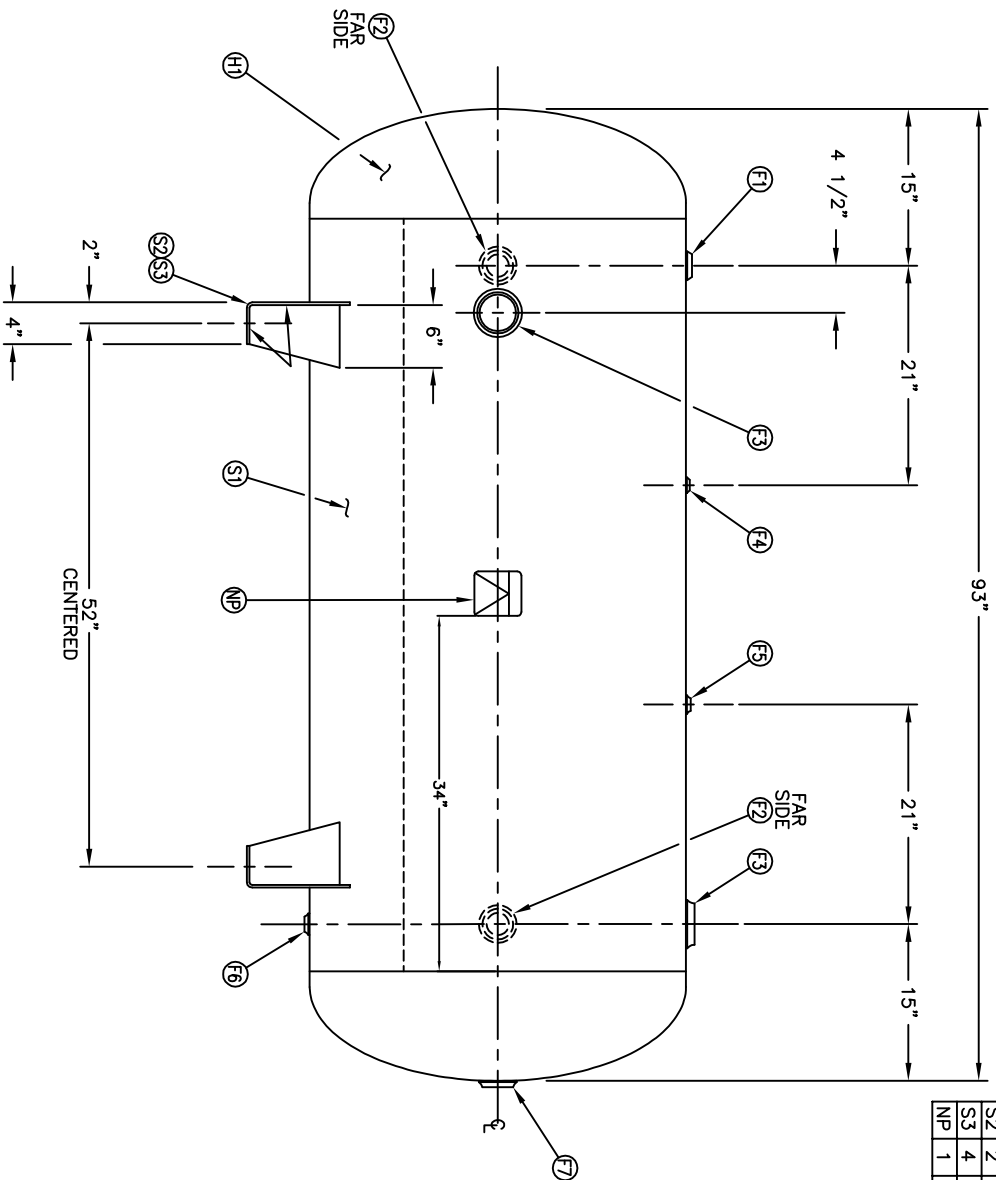


NO. QTY	DESCRIPTION	SPEC	SUB-DWG.
S1 1			
H1 2			
F1 1	1.1/2 NPT 1500# RADIAL FLANGE	SA-181-70	
F2 2	2 NPT 1500# RADIAL FLANGE	SA-181-70	
F3 2	3 NPT 1500# RADIAL FLANGE	SA-181-70	
F4 1	1/4 NPT 1500# FLAT FLANGE	SA-181-70	
F5 1	1/2 NPT 1500# FLAT FLANGE	SA-181-70	
F6 1	3/4 NPT 1500# RADIAL FLANGE	SA-181-70	
F7 1	2 NPT 1500# FLAT FLANGE	SA-181-70	
S2 2	1/4" X 13 1/2" X 36" SADDLE	AB4493	
S3 4	3/16" X 6" X 8 5/8" GUSSET	AB4493	
NP 1	ASME DATA PLATE	C1010	



SW/ DATE BY	REVISION	APP XREF REV	NOTES

SPECIFICATIONS

O.D. 36 LGTH. 93
 MHP 165 PSI @ 450 F

COR. L8907.5C
 QAL 400
 CORR ALW — SH — HD
 CODE ASME SECT.VIII, DIV.1
 PER DATE OF DWG/LAST REV

WELD DETAILS: M-1932
 STD. TOLERANCES (UNLESS OTHERWISE NOTED): M-2461



36" X 93"
 STANDARD AIR RECEIVER

Q: 3000

DRAWN BY	DATE	SCALE	DRAWING NO.
APP. BY	DATE	NONE	302487