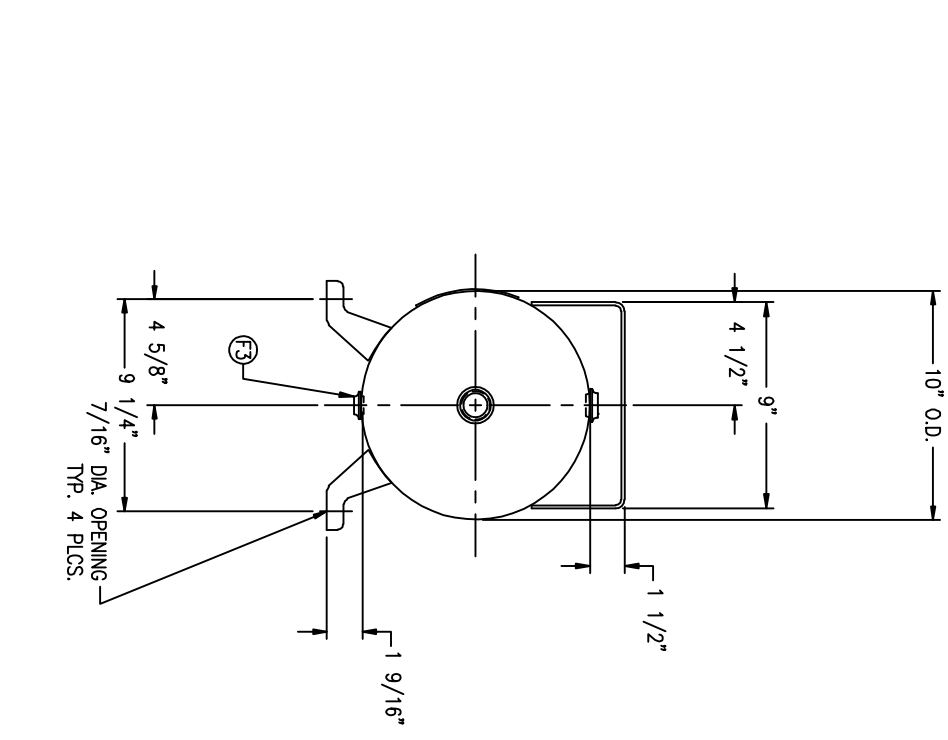
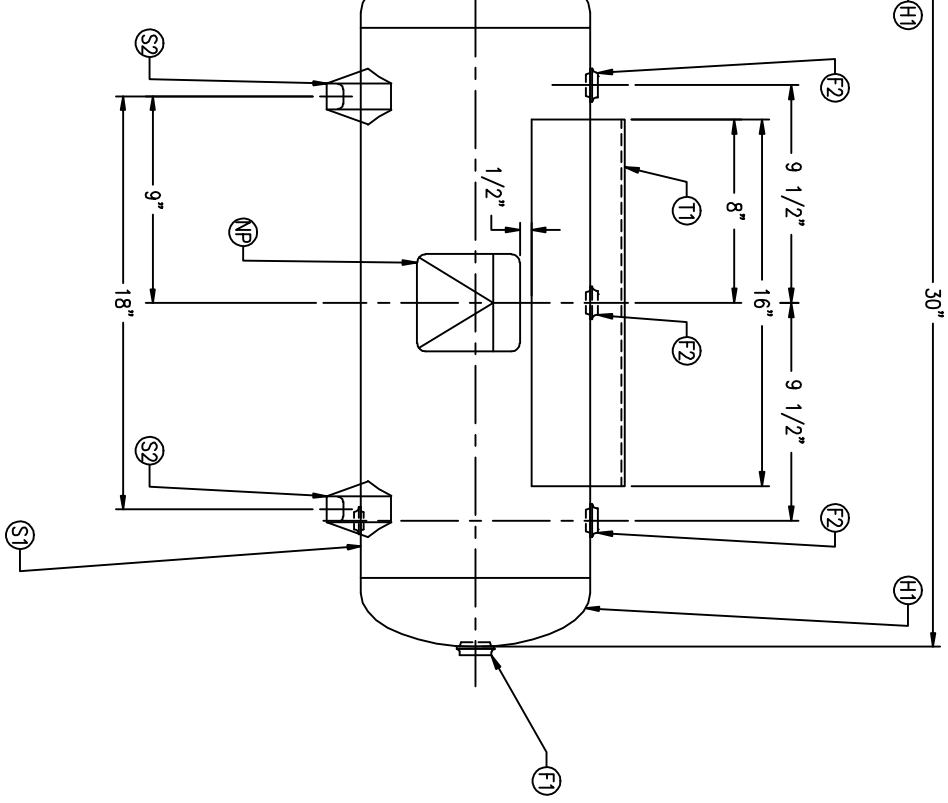


CODE/ADDENDA _____ APPROVED
 RELEASED FOR PRODUCTION _____
 Q.C. _____ DATE _____

FIND NO.	NPT SIZE
F1	3/4
F2	1/2
F3	1/4



SYM.	DATE BY	REVISION	APPR.	REF. REV.	NOTES	SPECIFICATIONS
				C1010 A C1011		O.D. 10 LGTH. 30 MAWP 300 PSI @ 650 F



Q:\3000\

HORIZONTAL AIR RECEIVER

DRAWN BY	DATE	SCALE: NONE
APP. BY	DATE	DRAWING NO. 302462

CODE: ASME SEC. VIII DIV. 1
 LATEST EDITION & ADDENDA
 GAL. 10 S.A. 6.9
 WT. 46# CU.FT. 1.2
 CRN D1625.6
 WELD DETAILS: M-1932
 STD. TOLERANCES (UNLESS OTHERWISE NOTED): M-2461