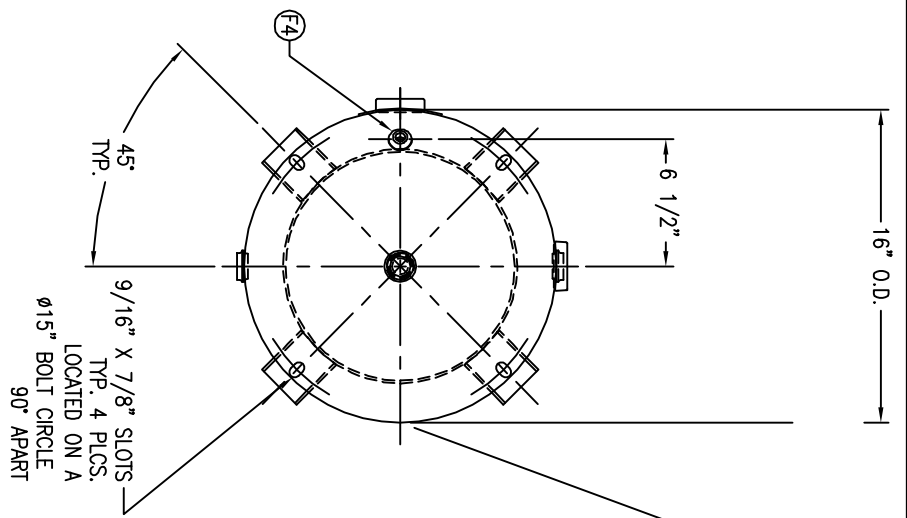
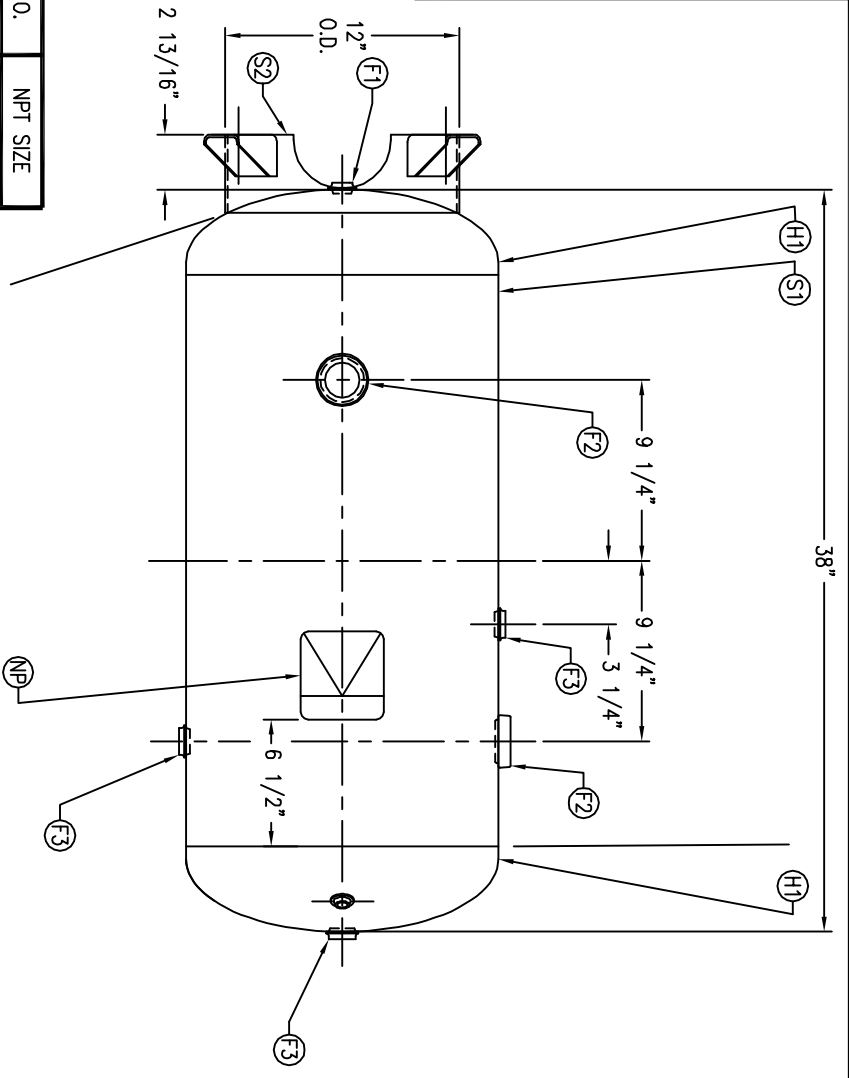


CODE/ADDENDA 2010/2011A APPROVED DP
 RELEASED FOR PRODUCTION
 Q.C. _____ DATE _____



FINND NO.	NIPT SIZE
F1	1/2
F2	1-1/2
F3	3/4
F4	1/4


SYML	DATE	BY	REVISION
A		EGB	
B		EGB	

APP	XREF	REV
EGB	C814	B
	1A	C903

NOTES

SPECIFICATIONS	
O.D. 16	LGTH. 38
MAMP 200	PSI @ 650 F
RT- MDMT	TØ PSI
EXMT	TEST
XRAY	W
CRN F2151.1C	
SH. HD.	MATL
GAL 30	SA.14.1
WT. 85#	CU.FT. 4.0
CORR ALW	SH HD
CODE: ASME SEC. VIII DIV. 1,	
LATEST EDITION & ADDENDA	

\\INTERPATT\apps\DWG\302



VERTICAL AIR RECEIVER

DRAWN BY EGB	DATE	SCALE: NONE
APP. BY EGB	DATE	DRAWING NO. 302406